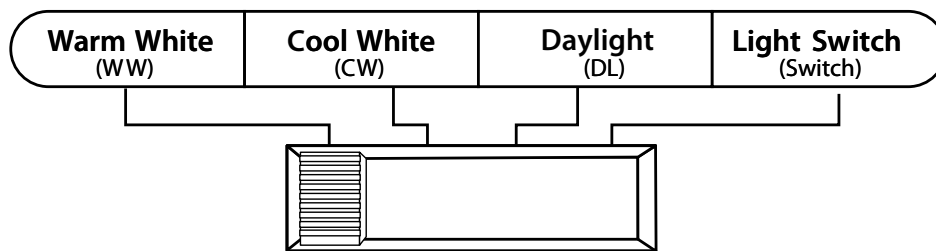


COLOR CHANGING INSTRUCTIONS

COLOR CHANGING INSTRUCTIONS

READ IMPORTANT SAFETY INFORMATION FIRST ON REVERSE SIDE OF THIS SHEET.



1. The you can lock in one color temperature, change among multiple color temperatures, dimmed from 1%-100%, memorize the last color temperature, and reset automatically.
2. Warm White - Cool White - Daylight - Light Switch Marks on the lamp: WW-CW-DL-Switch
3. When the slide switch is set to WW (Warm White), the color temperature fixes at 3000K.
4. When the slide switch is set to CW (Cool White), the color temperature fixes at 4000K.
5. When the slide switch is set to DL (Daylight), the color temperature fixes at 5000K.
6. When the slide switch is set to SWITCH, the color temperature can be changed from WW-CW-DL with your existing wall switch.
7. To change color temperatures using your existing wall switch:
 - A. Set slide switch on back of fixture to "SWITCH"
 - B. Toggle your wall switch ON and OFF within 0.5-3 seconds to cycle though the 3 different color temperatures.
 - C. If fixture is left On for over 10 seconds then turned OFF, fixture will remember the last color temperature selected and will display that color when turned on again.
8. Reset function is used when using multiple Feit Electric Color Selectable lighting products operating from the same Wall Switch. In the event multiple fixtures are not displaying the same color at the same time. Fixtures must be RESET using your existing Wall Switch. Simply toggle wall switch ON and OFF 5 times leaving it in the ON position in 5 second intervals. (ex: Fixture in ON position, toggle the wall switch OFF then ON leaving it ON for 5 seconds then OFF then ON leaving it ON for 5 seconds repeating for a total of 5 times.)

SAVE THESE INSTRUCTIONS.

LED CEILING FIXTURE INSTRUCTIONS

CAUTION

TURN OFF THE MAIN POWER AT THE CIRCUIT BREAKER BEFORE INSTALLING THE FIXTURE, IN ORDER TO PREVENT POSSIBLE SHOCK.

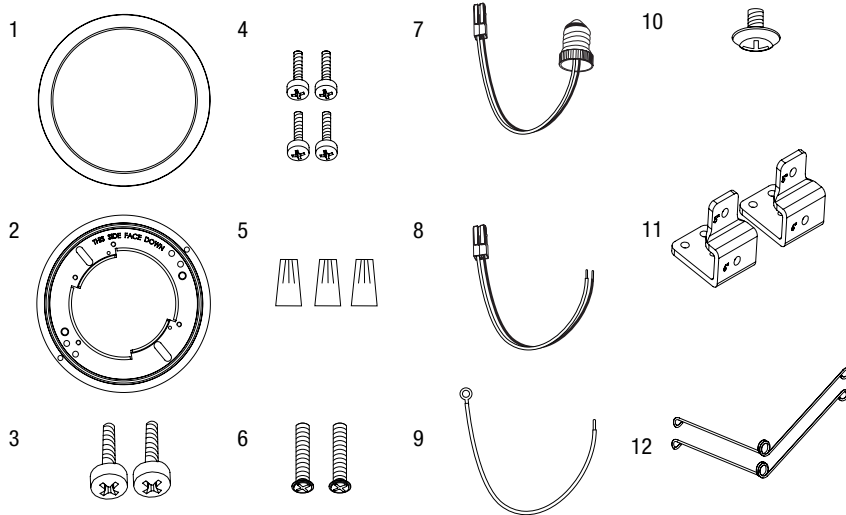


GENERAL

- All electrical connections must be in accordance with local and National Electrical Code (N.E.C.) standards. If you are unfamiliar with proper electrical wiring connections obtain the services of a qualified electrician.
- Remove the fixture and the mounting package from the box and make sure that no parts are missing by referencing the illustrations on the installation instructions.

PARTS INCLUDED:

- 7.5 inch fixture
- Mounting bracket
- 5 & 6 inch Torsion springs screws (2 pieces)
- 5 & 6 inch Torsion bracket mounting screws (4 pieces)
- Wire nut (3 pieces)
- Mounting bracket screws (2 pieces)
- E26 adapter with male connector
- Stripped wires with male connector
- Ground wire
- Ground wire screw
- 5 & 6 inch Torsion springs brackets (2 pieces)
- 5 & 6 inch Torsion springs (2 pieces)



IMPORTANT SAFETY INFORMATION

- WARNING: RISK OF SHOCK** House electric current can cause painful shock or serious injury unless handled properly. For your safety, always remember to:
 - Turn off the power supply at the fuse or circuit breaker box before you install the fixture.
 - Ground the fixture to avoid potential electric shocks and to ensure reliable starting.
 - Double-check all connections to be sure they are tight and correct.
 - Wear rubber soled shoes and work on a sturdy wooden ladder.
- This fixture is designed for use in a circuit protected by a fuse or circuit breaker. It is also designed to be installed in accordance with local electrical codes. If you are unsure about your wiring, consult a qualified electrician or local electrical inspector, and check your local electrical code.
- WARNING: RISK OF CUTS** Some metal fixture parts may have sharp edges. To prevent cuts and scrapes, wear gloves when handling.
- Account for small parts and destroy packing material, as these may be hazardous to children.

LIMITED WARRANTY

This product is warranted to be free from defects in workmanship and materials for up to 5 years from date of purchase. If it fails to do so, please contact Feit Electric at info@feit.com or call 1-866 326-BULB (2852) for instructions on replacement. Do not return the product to the store.

For comments please write to:
 FEIT ELECTRIC
 Customer Service Department
 4901 Gregg Road, Pico Rivera, CA 90660

This device complies with part 15 of the FCC Rules. Operation is subject to the following two conditions: (1) This device may not cause harmful interference, and (2) this device must accept any interference received, including interference that may cause undesired operation. Note: This equipment has been tested and found to comply with the limits for a Class B digital device, pursuant to part 15 of the FCC Rules. These limits are designed to provide reasonable protection against harmful interference in a residential installation. This equipment generates, uses and can radiate radio frequency energy and, if not installed and used in accordance with the instructions, may cause

harmful interference to radio communications. However, there is no guarantee that interference will not occur in a particular installation. If this equipment does cause harmful interference to radio or television reception, which can be determined by turning the equipment off and on, the user is encouraged to try to correct the interference by one or more of the following measures: Reorient or relocate the receiving antenna. Increase the separation between the equipment and receiver. Connect the equipment into an outlet on a circuit different from that to which the receiver is connected. Consult the dealer or an experienced radio/TV technician for help.

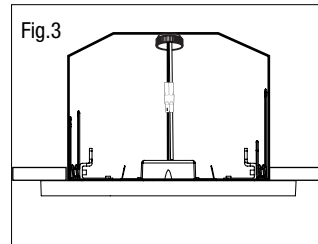
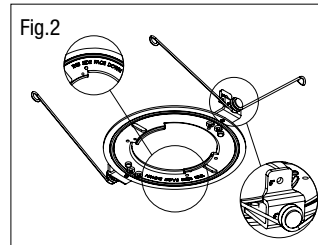
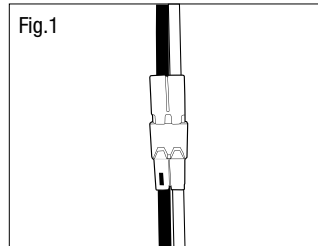
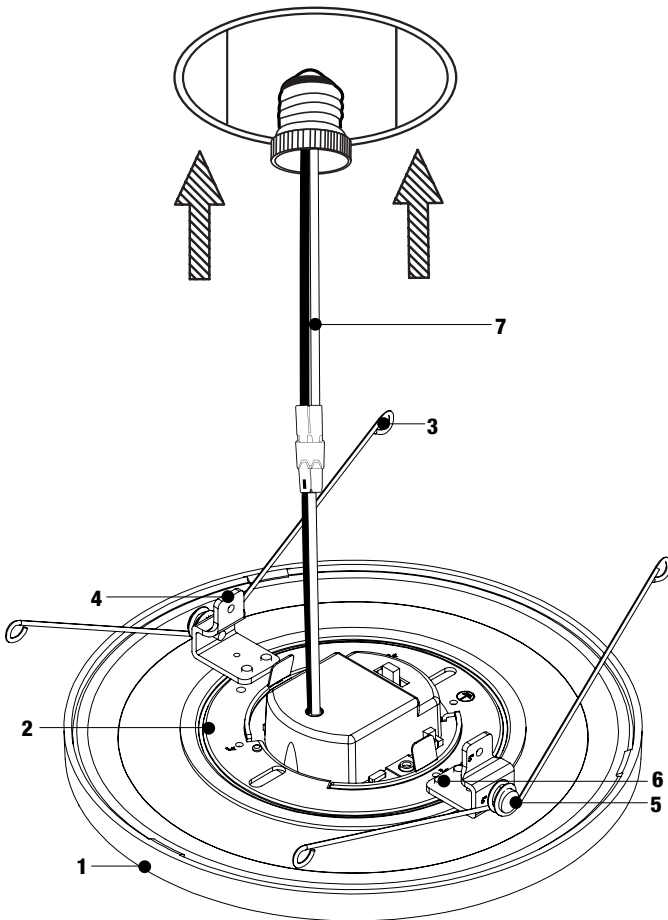
SAVE THESE INSTRUCTIONS.

LED RECESSED CAN INSTRUCTIONS

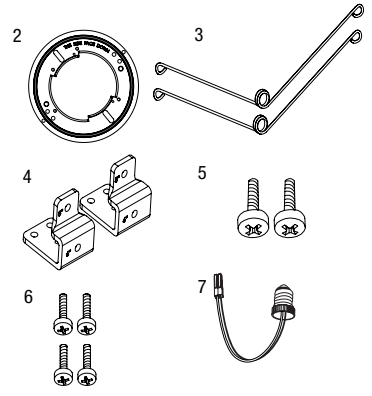
MOUNTING INSTRUCTIONS

READ IMPORTANT SAFETY INFORMATION FIRST ON REVERSE SIDE OF THIS SHEET.

For use with 5 or 6 in. recessed housing



PARTS NEEDED:



1. 7.5 inch fixture
2. Mounting bracket
3. 5 & 6 inch Torsion springs (2 pieces)
4. 5 & 6 inch Torsion springs brackets (2 pieces)
5. 5 & 6 inch Torsion springs screws (2 pieces)
6. 5 & 6 inch Torsion bracket mounting screws (4 pieces)
7. E26 adapter with male connector

1. Turn OFF power at switch and fusebox or circuit breaker.
2. Remove existing trim installed in recessed housing (if necessary).
3. Install medium base adapter (7) into socket.
4. Connect the two terminals together. (See fig.1)
5. Insert torsion springs into fixture housing brackets.
6. When installing trim into a 5" recessed housing, the torsion spring must be moved. Unscrew the torsion spring from the 6" position and move to the 5" position. Make sure mounting bracket is installed with the label faced downwards (See fig.2)
7. 10. Gently push up trim and torsion springs so they begin to expand and lift trim in place. (See fig.3)

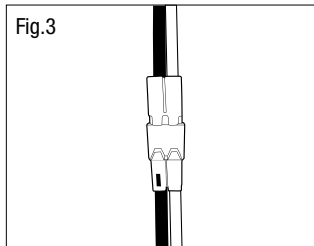
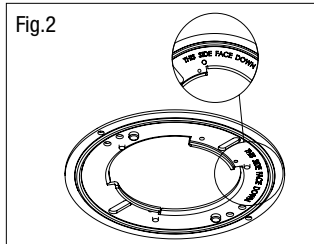
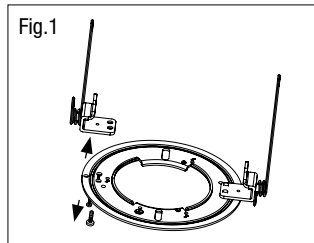
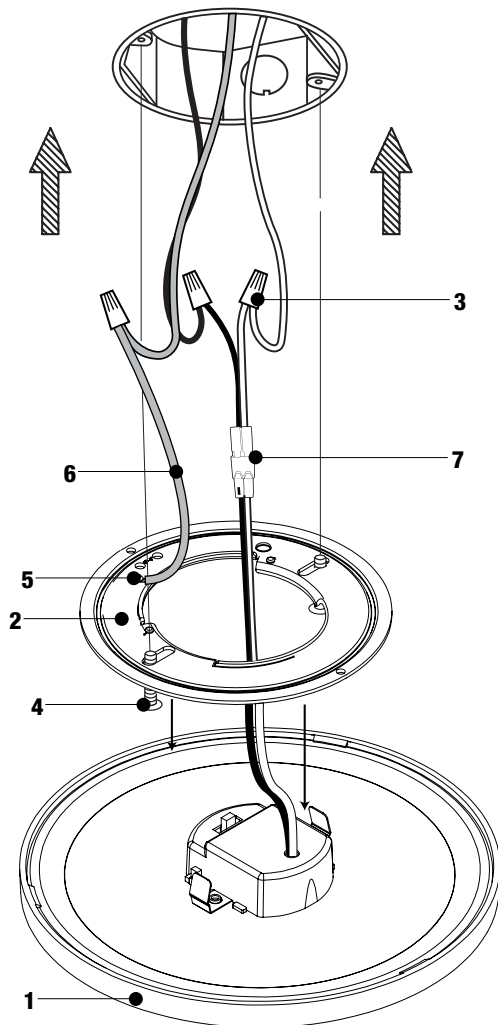
SAVE THESE INSTRUCTIONS.

LED CEILING FIXTURE INSTRUCTIONS

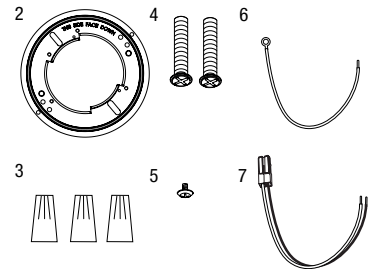
MOUNTING INSTRUCTIONS

READ IMPORTANT SAFETY INFORMATION FIRST ON REVERSE SIDE OF THIS SHEET.

For use with junction box



PARTS NEEDED:



1. 7.5 inch fixture
2. Mounting bracket
3. Wire nut (3 pieces)
4. Mounting bracket screws (2 pieces)
5. Ground wire screw
6. Ground wire
7. Stripped wires with male connector

1. Carefully unpack and unwrap fixture.
2. Disconnect E26 adapter and remove mounting bracket from fixture.
3. Remove 5 & 6 inch torsion springs brackets (See fig. 1)
4. Before wiring fixture to the power supply, turn OFF electricity at fuse or circuit breaker box. Fixture must be grounded to avoid potential electrical shock and to ensure reliable lamp starting. Connect the stripped wires with male connector (7) to the 2 wires coming from the J-box (black - line voltage, white - neutral). Determine if the ground wire is inside the J-box. If not, then secure ground wire (6) provided to the mounting bracket.

5. Secure mounting bracket (2) to J-box by inserting the two mounting screws (4) through slots in mounting bracket. Make sure mounting bracket is installed with the label faced downwards (See fig.2).
6. Lift fixture to J-box. Connect the two terminals together. (See fig.3)
7. Secure fixture (1) to mounting bracket (2) by pressing fixture into the mounting bracket until clips on fixture engage together. Make sure fixture is firmly locked into place.

SAVE THESE INSTRUCTIONS.