

LED Shop Light

SPECIFICATIONS

Ideal For

Hanging or Flush Mount Installation

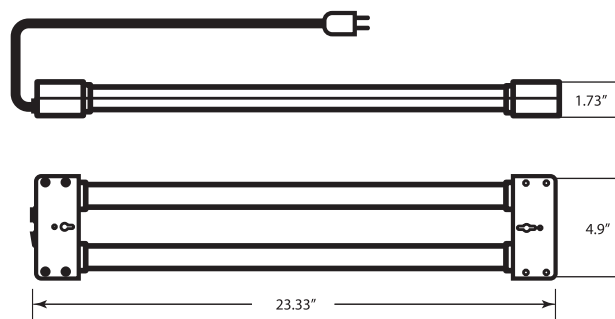
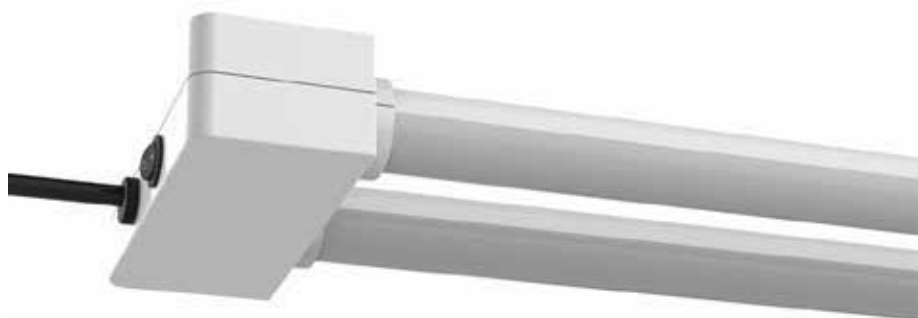


Features

- Instant Full Brightness
- Ultra Light Weight Design
- Durable Smooth Edge Housing
- For Hanging or Flush Mount Installation
- FCC Compliant
- 100% Mercury Free
- Cool White
- UL/CUL Listed

Benefits

- No Humming
- No Lamps to Dispose or Replace
- Lasts up to 45 Years



Includes 6 Inch Hanging Wire Harness

Specifications

Item Number	Input Power (Watts)	Input Line Voltage	CCT
73989	19	120	4000K
Lumens	Lumen Efficiency (LPW)	MOL	Diameter
1650	86	24"	4.6"
Life Hours	CRI		
50,000	≥80		