

MODEL 73702



LED WALL LIGHTS

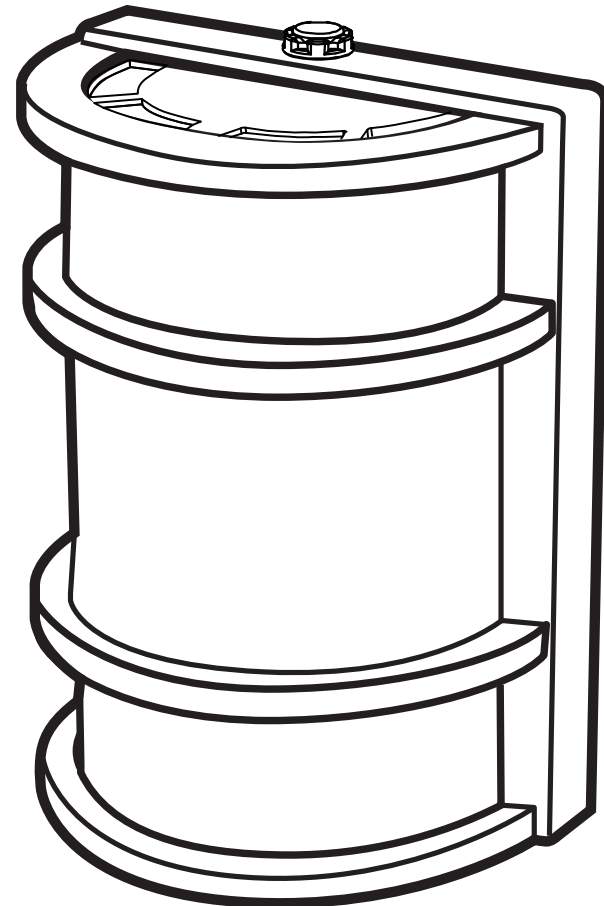
LIMITED WARRANTY

This product is warranted to be free from defects in workmanship and materials for up to 5 years from date of purchase. If it fails to do so, please contact Feit Electric at info@feit.com or call 1-866-326-BULB (2852) for instructions on replacement. This replacement is the sole remedy available and liability for incidental or consequential damage is expressly excluded. Do not return the product to the store. For comments please contact: Feit Electric Customer Service 4901 Gregg Road, Pico Rivera, CA 90660. www.feit.com.



FEIT ELECTRIC COMPANY
PICO RIVERA, CA, USA
(800) 543-3348 | FAX (562) 908-6360

www.feit.com

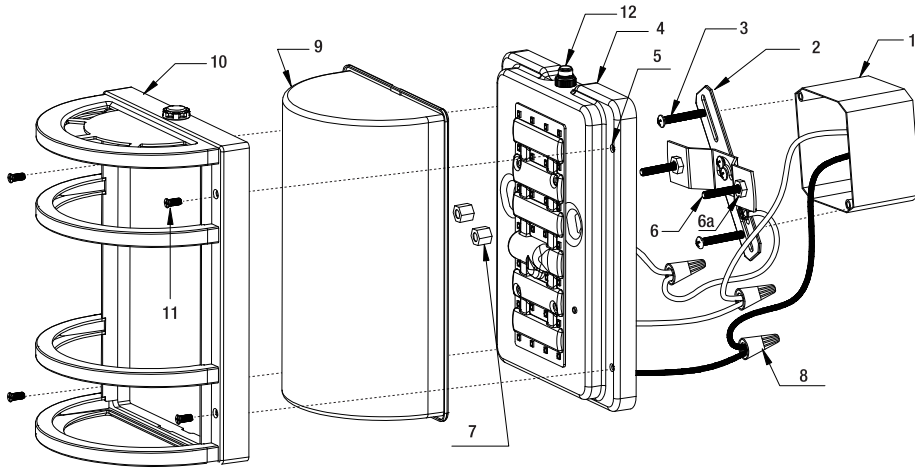




WARNING:

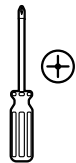
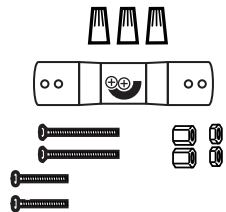
This product may represent a possible shock or fire hazard if improperly installed or attached in any way. Product should be installed in accordance with the owners manual, current electrical codes and/or the current National Electric Code (NEC).

RISK OF ELECTRIC SHOCK: TURN OFF THE MAIN POWER AT THE CIRCUIT BREAKER BEFORE INSTALLING.

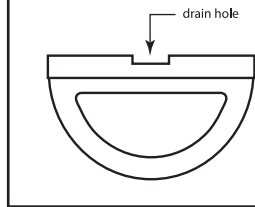


- 1. Outlet Box (not included)
- 2. Combination Cross Bar (1 piece)
- 3. Outlet Box Mounting Screws (2 pieces)
- 4. Back Plate
- 5. Back Plate Holes
- 6. Fixture Mounting Screws (2)
- 6a. Fixture Mounting Screw Nuts (2)
- 7. Fixture Mounting Nuts (2)
- 8. Wire Nuts
- 9. Lens
- 10. Metal Frame
- 11. Frame Mounting Screws (4)
- 12. Photocell Sensor

Parts Included Tools Required



NOTE: Make sure drain hole is facing down when installed.



Pre-Installing Wall Lights

DISASSEMBLE FIXTURES

Carefully unscrew Frame Mounting Screws (11) and remove Metal Frame (10) from fixture. Remove Lens (9). Remove Crossbar (2).

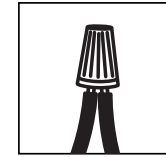
DO NOT TOUCH COMPONENTS ON CIRCUIT BOARD.

Installing Wall Lights

- 1 TURN POWER OFF**
Turn power off at circuit breaker or remove the correct fuse.
- 2 MOUNT CROSS BAR**
Mount Cross Bar (2) to Outlet Box (1) by inserting the two Mounting Screws (3) through slots in Cross Bar.
- 3 CONNECT FIXTURE**
Lift fixture back plate (4) to outlet box. Using wire nuts provided connect bare copper wire from fixture to green or bare copper ground (house) wire. If outlet box is grounded you may fasten fixture ground wire directly to outlet box. Connect white fixture wire to neutral supply wire. Connect black fixture wire to power supply wire.
- 4 MOUNT BACK PLATE**
Insert Fixture Back Plate Holes (5) through the Fixture Mounting Screws (6) and secure to cross bar by tightening Fixture Mounting Nuts (7). NOTE: Hand tighten Mounting Nuts. Do not use any tools as over tightening may occur causing damage to back plate.
- 5 ATTACH LENS**
Once back plate is firmly secure, place lens (9) onto back plate.
- 6 MOUNT METAL FRAME**
Place metal frame (10) onto Lens (9) and secure in place using the four Frame Mounting Screws provided (11)
- 7 TURN POWER ON**
Turn power on at circuit breaker or replace the fuse.
- 8 CAULKING AROUND THE FIXTURE**
Caulk between the Light Fixture and the wall surface with silicone sealant (not included).

IMPORTANT WIRING INFORMATION

Always follow the recommended wire strip lengths and wiring combinations when connecting wires.



Hold stripped ends next to each other and align frayed strands (do not twist wires).

Push wires firmly into wire nut. Using your fingers, twist wire nut clockwise until tight. Check for tightness by pulling wires.

CAUTION

WARNING: Risk of fire. Use only on 120 volt 60Hz circuits. Suitable for wet locations. Do not use with dimmers. Before installing your lighting fixture, thoroughly review enclosed installation manual. If you do not have sufficient electrical wiring experience, please refer to a do-it-yourself wiring handbook or have your fixture installed by a qualified licensed electrician. All electrical connections must be in accordance with Local and National Electrical Code (NEC) Standards. Reliable operating temperature is 0°F -120°F. For more information visit www.feit.com or call our toll free number 1-866-326-BULB.

LIGHTING DISTRIBUTION

	Center Beam (Foot Candles)	Beam Diameter
3ft	29	9.6ft
5ft	11	16ft
8ft	4.1	26ft
15ft	1.2	48ft

Beam Angle = 116°