

LED CEILING FIXTURE INSTRUCTIONS

CAUTION

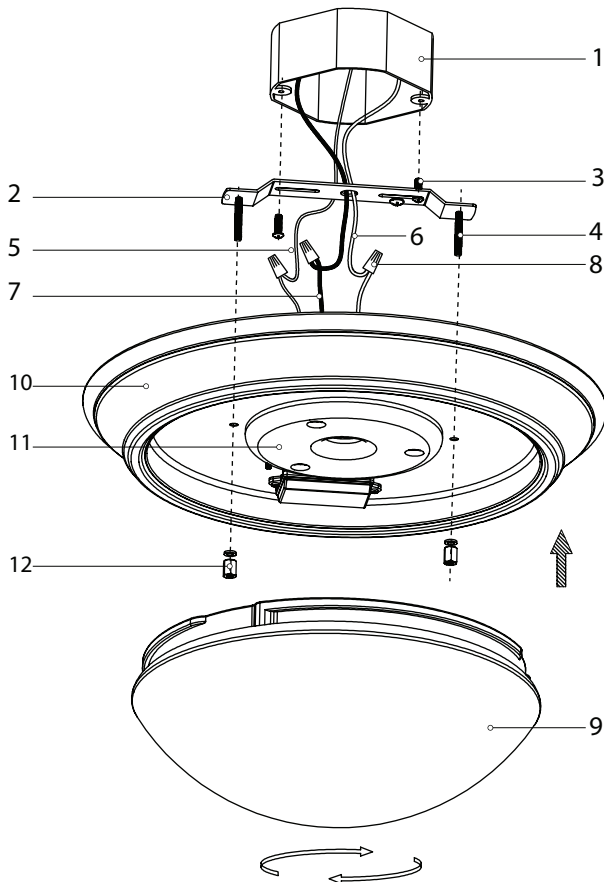
TURN OFF THE MAIN POWER AT THE CIRCUIT BREAKER BEFORE INSTALLING THE FIXTURE, IN ORDER TO PREVENT POSSIBLE SHOCK.



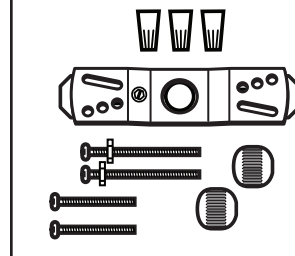
GENERAL

All electrical connections must be in accordance with local and National Electrical Code (N.E.C.) standards. If you are unfamiliar with proper electrical wiring connections obtain the services of a qualified electrician.

Remove the fixture and the mounting package from the box and make sure that no parts are missing by referencing the illustrations on the installation instructions.



PARTS INCLUDED:



1. Outlet Box (not included)
2. Mounting Plate (1 piece)
3. Outlet Box Mounting Screws (2 pieces)
4. Fixture Mounting Screws 2 (pieces)
5. Fixture Ground Wire
6. White Fixture Wire
7. Black Fixture Wire
8. Wire Nut (3 pieces)
9. Glass Lens
10. Fixture Housing (1 piece)
11. LED Module
12. Finial (2 pieces)

MOUNTING INSTRUCTIONS

READ IMPORTANT SAFETY INFORMATION FIRST ON REVERSE SIDE OF THIS SHEET.

- 1** Carefully unpack and unwrap fixture and glass Lens.
- 2** Check that black (7), white (6) and ground wire(s) (5) are extending from the back of the fixture. Remove GLASS LENS (9) if attached to fixture. Before wiring fixture to the power supply, turn off electricity at fuse or circuit breaker box. Fixture must be grounded to avoid potential electrical shock and to ensure reliable lamp starting.
- 3** Insert the FIXTURE MOUNTING SCREWS (4) into the MOUNTING PLATE (2) and secure by tightening included NUTS (4) against the Mounting Plate. NOTE: Make sure MOUNTING SCREWS (2) do not protrude too much or too little from the Mounting Plate. You may need to adjust them to proper length. Once proper length is determined, tighten with nut to secure screws against Mounting Plate.
- 4** Mount Mounting Plate (2) to OUTLET BOX (1) by inserting the two MOUNTING SCREWS (3) through slots in Mounting Plate.
- 5** Lift fixture housing to outlet box. Using wire nuts (8) provided connect green wire (5) from fixture to green or bare copper ground (house) wire. If outlet box is grounded you may fasten fixture ground wire directly to outlet box. Connect white fixture wire(s) (6) to neutral supply wire. Connect black fixture wire(s) (7) to power supply wire.
- 6** Insert FIXTURE MOUNTING SCREWS (4) through fixture housing (10) holes and secure by hand tightening the FINIALS (12) to the ends of the FIXTURE MOUNTING SCREWS (4). NOTE: Hand tighten finials only. Do not use any tools as overtightening may occur causing damage to fixture housing.
- 7** Slide the GLASS LENS (9) into the FIXTURE HOUSING (10) and secure by turning the lens clockwise.

SAVE THESE INSTRUCTIONS.



LED CEILING FIXTURE INSTRUCTIONS

IMPORTANT SAFETY INFORMATION

1. **WARNING: RISK OF SHOCK** House electric current can cause painful shock or serious injury unless handled properly. For your safety, always remember to:
 - A. Turn off the power Supply at the fuse or circuit breaker box before you install the fixture.
 - B. Ground the fixture to avoid potential electric shocks and to ensure reliable starting.
 - C. Double-check all connections to be sure they are tight and correct.
 - D. Wear rubber soled shoes and work on a sturdy wooden ladder.
2. This fixture is designed for use in a circuit protected by a fuse or circuit breaker. It is also designed to be installed in accordance with local electrical codes. If you are unsure about your wiring, consult a qualified electrician or local electrical inspector, and check your local electrical code.
3. **WARNING: RISK OF CUTS** Some metal parts in the fixture may have sharp edges. To prevent cuts and scrapes, wear gloves when handling the parts.
4. Account for small parts and destroy packing material, as these may be hazardous to children.

LIMITED WARRANTY

This product is warranted to be free from defects in workmanship and materials for up to 5 years from date of purchase. If it fails to do so, please contact Feit Electric at info@feit.com or call 1-866 326-BULB (2852) for instructions on replacement. Do not return the product to the store.

For comments please write to:
FEIT ELECTRIC
Customer Service Department
4901 Gregg Road, Pico Rivera, CA 90660

This device complies with part 15 of the FCC Rules. Operation is subject to the following two conditions:
(1) This device may not cause harmful interference, and
(2) this device must accept any interference received, including interference that may cause undesired operation.
Note: This equipment has been tested and found to comply with the limits for a Class B digital device, pursuant to part 15 of the FCC Rules. These limits are designed to provide reasonable protection against harmful interference in a residential installation. This equipment generates, uses and can radiate radio frequency energy and, if not installed and used in accordance with the instructions, may cause

harmful interference to radio communications. However, there is no guarantee that interference will not occur in a particular installation. If this equipment does cause harmful interference to radio or television reception, which can be determined by turning the equipment off and on, the user is encouraged to try to correct the interference by one or more of the following measures: Reorient or relocate the receiving antenna. Increase the separation between the equipment and receiver. Connect the equipment into an outlet on a circuit different from that to which the receiver is connected. Consult the dealer or an experienced radio/TV technician for help.

SAVE THESE INSTRUCTIONS.