

USE AND CARE GUIDE

**4 INCH RECESSED DOWNLIGHT WITH TRIM
SELECTABLE COLOR TEMPERATURES**

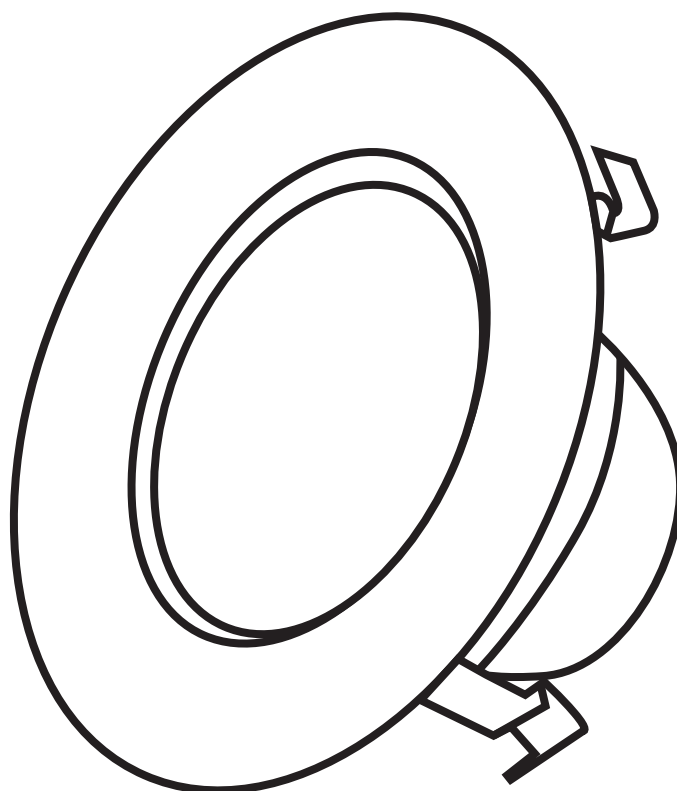


Table of Contents


- Table of Contents 2
- Safety Information 2
- Warranty 2
- Pre-Installation 3
 - Components Included 3
 - General Wiring Configuration 3
- Installation 4
- Changing the Color Settings 5

Safety Information


For your safety, always remember to:

- Turn off the power supply at the fuse or circuit breaker box before you install the fixture.
- Ground the fixture to avoid potential electric shock and to ensure reliable starting.
- Double-check all connections to be sure they are tight and correct.
- Wear rubber soled shoes and work on a sturdy wooden ladder.
- Account for small parts and destroy packing material, as these may be hazardous to children.


This fixture is designed for use in a circuit protected by a fuse or circuit breaker. It is also designed to be installed in accordance with local electrical codes. If you are unsure about your wiring, consult a qualified electrician or local electrical inspector, and check your local electrical code.



WARNING: RISK OF FIRE OR SHOCK. The electrical rating of this product is 120VAC. Install this kit only in luminaires that have the construction features and dimensions shown in this manual.



WARNING: To prevent wiring damage or abrasion, do not expose wiring to edges of sheet metal or other sharp objects. Do not make or alter any open holes in an enclosure of wiring or electrical components during kit installation.



CAUTION: Turn off the main power at the circuit breaker before installing the fixture, in order to prevent possible shock.

NOTICE: THIS DEVICE IS NOT INTENDED FOR USE WITH EMERGENCY EXITS. WET LOCATION LISTED, ACCEPTABLE IN SHOWER INSTALLATIONS.

NOTICE: This product must be installed in accordance with any applicable installation code(s) by a qualified electrician or person familiar with the construction and operation of the product and the hazards involved.

- Suitable for Type IC Housings
- Suitable for Type Non-IC Housings

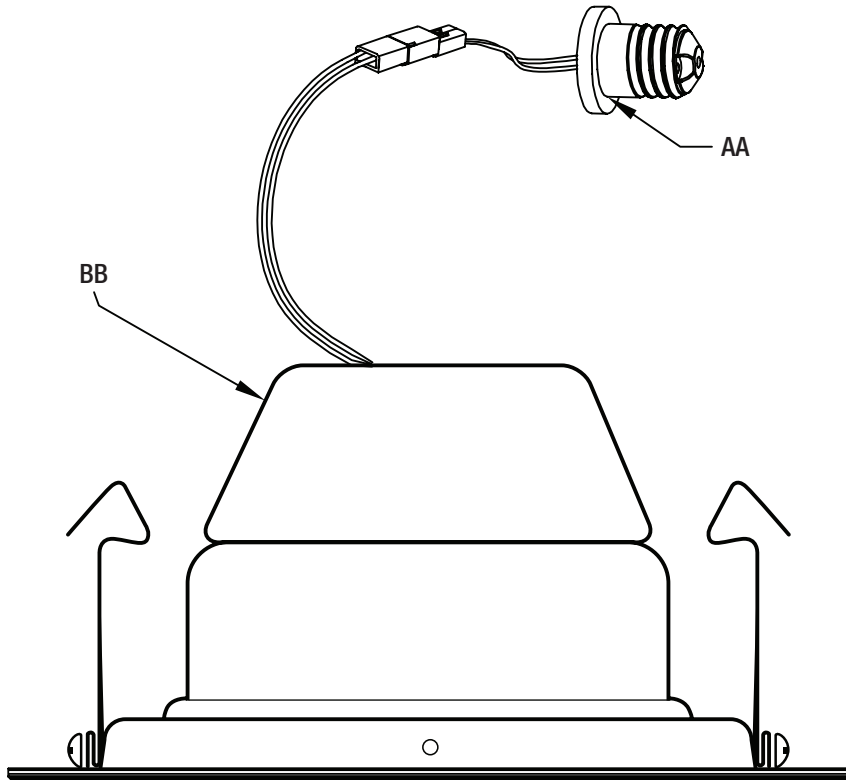
FCC STATEMENT

This device complies with part 15 of the FCC Rules. Operation is subject to the following two conditions:
(1) This device may not cause harmful interference, and (2) this device must accept any interference received, including interference that may cause undesired operation.
Note: This equipment has been tested and found to comply with the limits for a Class B digital device, pursuant to part 15 of the FCC Rules. These limits are designed to provide reasonable protection against harmful interference in a residential installation. This equipment generates, uses and can radiate radio frequency energy and, if not installed and used in accordance with the instructions, may cause harmful interference to radio communications. However, there is no guarantee that interference will not occur in a particular installation. If this equipment does cause harmful interference to radio or television reception, which can be determined by turning the equipment off and on, the user is encouraged to try to correct the interference by one or more of the following measures: Reorient or relocate the receiving antenna. Increase the separation between the equipment and receiver. Connect the equipment into an outlet on a circuit different from that to which the receiver is connected. Consult the dealer or an experienced radio/TV technician for help.

Warranty

This product is warranted to be free from defects in workmanship and materials for up to 5 years from date of purchase. If it fails to do so, please contact Feit Electric at info@feit.com or call 1-866 326-BULB (2852) for instructions on replacement. Do not return the product to the store.

Pre-Installation



COMPONENTS INCLUDED

Part	Description	Quantity
AA	Medium Base Adapter	1
BB	RECESSED DOWNLIGHT WITH TRIM	1

Installation

NOTICE: Installation into Existing Recessed Incandescent Fixture:
For use with 4 in. recessed housings (housing sold separately). LED recessed trim will fit into select existing 4 in. nominal incandescent housings.

1 Turning Off the Power

- Turn the power OFF at the switch and fusebox or the circuit breaker.

2 Removing the Existing Trim

- Remove the existing trim installed in the recessed housing (if necessary).

3 Installing the Adapter

- Install the adapter (AA) into the socket. (See Fig. 2)

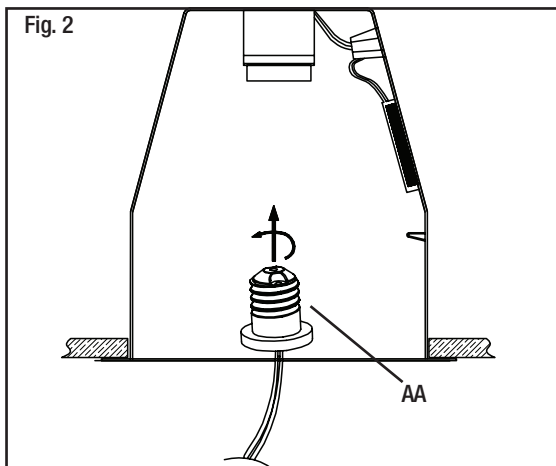


Fig. 2



WARNING: Risk of fire or electric shock. LED Recessed Downlight with Traim installation requires knowledge of luminaire electrical systems. If not qualified, do not attempt installation. Contact a qualified electrician.



WARNING: Risk of fire or electric shock. Install this product only in the luminaires that have the construction features and dimensions shown in the photographs and/or drawings.

NOTICE: MIN. LAMP COMPARTMENT DIMENSIONS: 102 mm (4 in.) DIA X 140 mm (5.5 in.) HEIGHT

4 Connecting the Terminals

- Connect the two terminals together. (See Fig. 3)

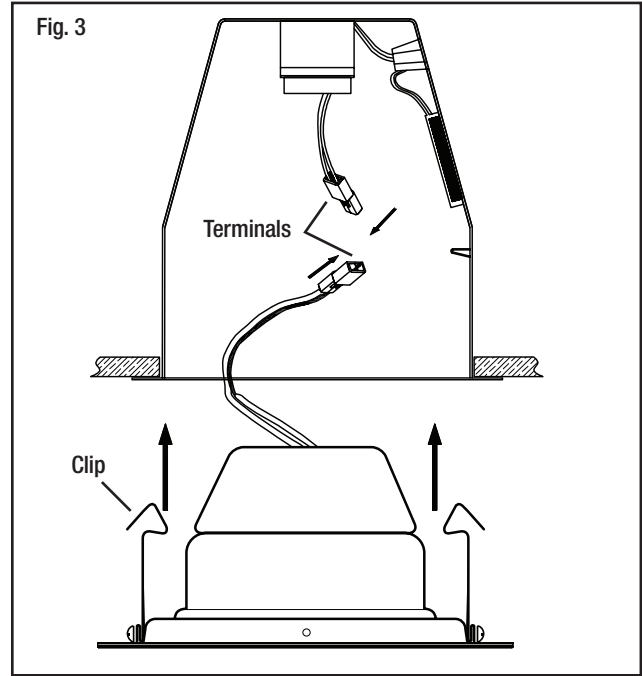


Fig. 3

5 Securing the Trim

- Gently push the trim into place. (See Fig. 4)

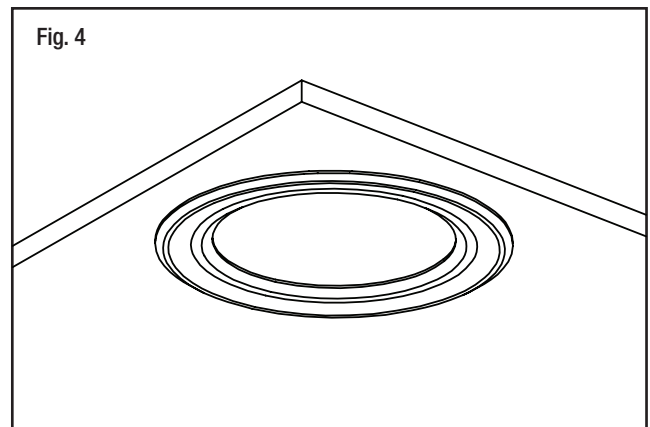
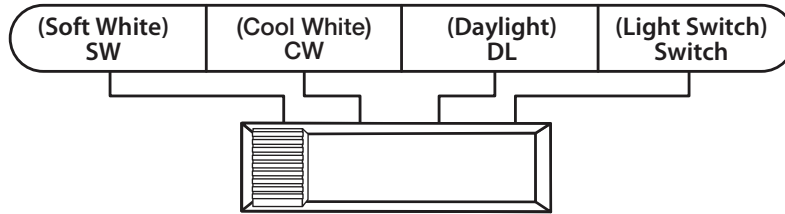


Fig. 4

Changing the Color Settings



NOTICE: The toggle switch is located on the back of the fixture.

4-way color changing:

1. You can lock in one color temperature, change among multiple color temperatures, dim from 1%-100%, memorize the last color temperature and reset automatically.
2. Light Switch Marks on the lamp represent: SW (Soft White) - CW (Cool White) - DL (Daylight) - Switch (Light Switch)
3. When the slide switch is set to SW (Soft White), the color temperature is set at 3000K.
4. When the slide switch is set to CW (Cool White), the color temperature is set at 4000K.
5. When the slide switch is set to DL (Daylight), the color temperature is set at 5000K.
6. When the slide switch is set to SWITCH, the color temperature can be changed from SW-CW-DL with your existing light switch.

To change color temperatures using your existing light switch:

- A. Set the slide switch on the back of the fixture to SWITCH.
- B. Toggle your light switch ON and OFF within 0.5-3 seconds to cycle through the three different color temperatures.
- C. If the fixture is left On for over 10 seconds then turned OFF, the fixture will remember the last color temperature selected and will display that color when turned on again.
- D. The reset function is used when using multiple Color Selectable lighting products operating from the same light switch. In the event that multiple fixtures are not displaying the same color at the same time, the fixtures must be RESET using your existing light switch. Simply toggle the wall switch ON and OFF 7 times, leaving it in the ON position for 2 second intervals. (ex: With the fixture in the ON position, toggle the wall switch OFF then ON, leaving it ON for 2 seconds, then OFF then ON, leaving it ON for 2 seconds. (Repeat 7 times.)

PRODUCT ELECTRIC RATING

INPUT VOLTAGE /FREQUENCY	INPUT CURRENT	INPUT POWER
120V/60Hz	80mA	6W

LIGHTING DISTRIBUTION

Distance	Center Beam (Foot Candles)	Beam Diameter
3 ft.	26	7.1 ft.
5 ft.	9	12 ft.
8 ft.	3.6	19 ft.
15 ft.	1.0	36 ft.
Beam Angle = 99.7°		