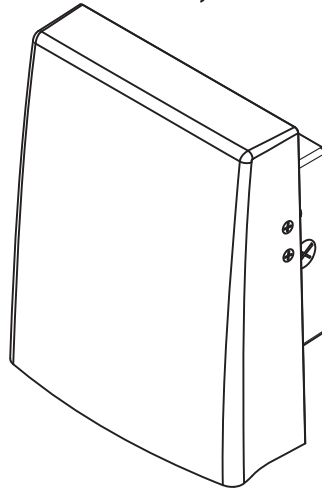


OUTDOOR ADJUSTABLE WALL PACK INSTALLATION INSTRUCTIONS

WARNING: These products may represent a possible shock or fire hazard if improperly installed or attached in any way. Products should be installed in accordance with the owners manual, current electrical codes and/or the current National Electric Code (NEC). Properly ground electrical enclosure. Use only UL or IEC approved wire for input/output connections.

PARTS INCLUDED

- (1) Wall pack
- (2) Screws
- (3) Wire nuts



CAUTION, IMPORTANT SAFETY INSTRUCTIONS:

- Do not look directly at the operating LED lamp • Do not touch this product with wet hands • Do not disassemble, repair or alter lamp • Suitable for wet locations • The luminaire should be grounded
- To prevent early lamp failure: Lamp should only be installed in operating environments ranging between -20°C and +50°C • This device is not intended for use with emergency exits or emergency lights

To avoid the risk of fire, explosion, or electric shock, this product should be installed, inspected and maintained by a qualified electrician only, in accordance with all applicable electrical codes. Be certain electrical power is OFF before and during installation and maintenance.

Note: Save these instructions for future reference.

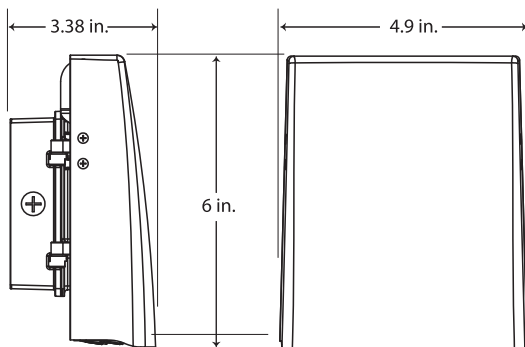
For supply connections use wire rated for at least 90°C

CAUTION: Input 120-277VAC

LIMITED WARRANTY

This product is warranted to be free from defects in workmanship and materials for up to 5 years from date of purchase. If it fails to do so, please contact Feit Electric at info@feit.com or call 1-866 326-BULB (2852) for instructions on replacement. Do not return the product to the store.

For comments please write to:
 Feit Electric
 Customer Service Department
 4901 Gregg Road, Pico Rivera, CA 90660



This device complies with part 15 of the FCC Rules. Operation is subject to the following two conditions: (1) This device may not cause harmful interference, and (2) this device must accept any interference received, including interference that may cause undesired operation. Note: This equipment has been tested and found to comply with the limits for a Class B digital device, pursuant to part 15 of the FCC Rules. These limits are designed to provide reasonable protection against harmful interference in a residential installation. This equipment generates, uses and can radiate radio frequency energy and, if not installed and used in accordance with the

instructions, may cause harmful interference to radio communications. However, there is no guarantee that interference will not occur in a particular installation. If this equipment does cause harmful interference to radio or television reception, which can be determined by turning the equipment off and on, the user is encouraged to try to correct the interference by one or more of the following measures: Reorient or relocate the receiving antenna. Increase the separation between the equipment and receiver. Connect the equipment into an outlet on a circuit different from that to which the receiver is connected. Consult the dealer or an experienced radio/TV technician for help.



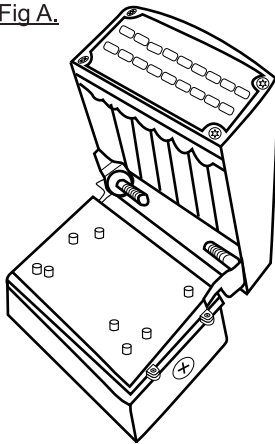
WARNING: TURN OFF THE MAIN POWER AT THE CIRCUIT BREAKER BEFORE INSTALLING THE FIXTURE IN ORDER TO PREVENT POSSIBLE ELECTRIC SHOCK.

WARNING: This luminaire should be installed by qualified electrician.

J-Box Mount Installation

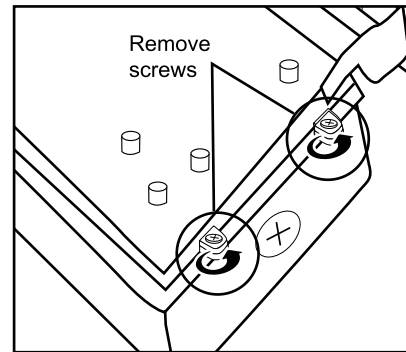
1. Fully open lamp head by holding the housing and lifting the lamp head (Fig A.)

Fig A.



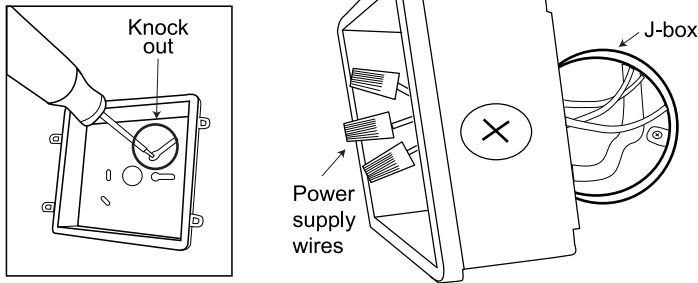
2. Remove the two side screws and open the housing access cover. Disengage the cover from the housing (Fig B).

Fig B.



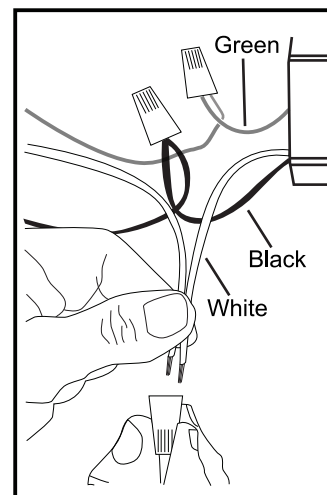
3. Knock out the screw holes needed for the J-box on the housing. Feed the power supply wires thru the center hole. Mount the housing to the J-box (Fig C).

Fig C.



4. Connect the power supply wires to the wall light. Ground to green, neutral to white and hot to black (Fig D).

Fig D.



5. Reattach the access cover and tighten the two side screw. Adjust the lamp head to the desired angle (Fig E).

Fig E.

