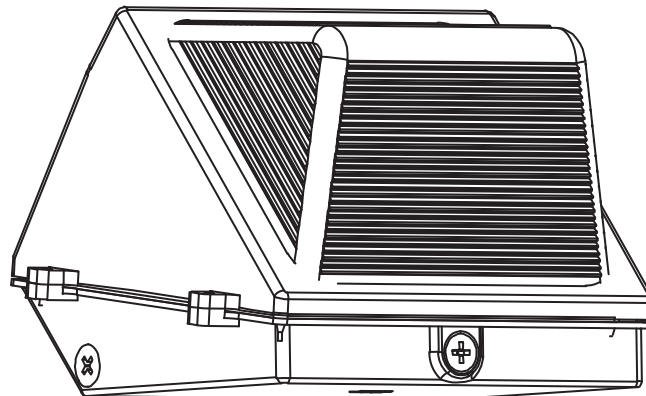


OUTDOOR COMMERCIAL WALL LIGHT INSTALLATION INSTRUCTIONS

WARNING: These products may represent a possible shock or fire hazard if improperly installed or attached in any way. Products should be installed in accordance with the owners manual, current electrical codes and/or the current National Electric Code (NEC).

PARTS INCLUDED

- (1) Outdoor commercial wall light
- (4) Mounting screws
- (4) Plastic anchors
- (3) Wire nuts



CAUTION, IMPORTANT SAFETY INSTRUCTIONS - Make sure the supply voltage is the same as the rated luminaire voltage. Do not install where marked operating temperatures exceed the ignition temperature of the hazardous atmosphere. Do not operate in ambient temperatures above those indicated on the luminaire nameplate. To avoid the risk of fire, explosion, or electric shock, this product should be installed, inspected and maintained by a qualified electrician only, in accordance with all applicable electrical codes. Be certain electrical power is OFF before and during installation and maintenance.

Note: Save these instructions for future reference.

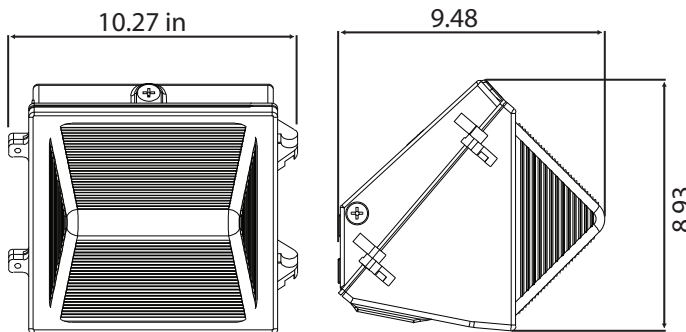
For supply connections use wire rated for at least 90°C

CAUTION: Input 120-277VAC

LIMITED WARRANTY

This product is warranted to be free from defects in workmanship and materials for up to 5 years from date of purchase. If it fails to do so, please contact Feit Electric at info@feit.com or call 1-866 326-BULB (2852) for instructions on replacement. Do not return the product to the store.

For comments please write to:
Feit Electric
Customer Service Department
4901 Gregg Road, Pico Rivera, CA 90660



This device complies with part 15 of the FCC Rules. Operation is subject to the following two conditions: (1) This device may not cause harmful interference, and (2) this device must accept any interference received, including interference that may cause undesired operation. Note: This equipment has been tested and found to comply with the limits for a Class B digital device, pursuant to part 15 of the FCC Rules. These limits are designed to provide reasonable protection against harmful interference in a residential installation. This equipment generates, uses and can radiate radio frequency energy and, if not installed and used in accordance with the

instructions, may cause harmful interference to radio communications. However, there is no guarantee that interference will not occur in a particular installation. If this equipment does cause harmful interference to radio or television reception, which can be determined by turning the equipment off and on, the user is encouraged to try to correct the interference by one or more of the following measures: Reorient or relocate the receiving antenna. Increase the separation between the equipment and receiver. Connect the equipment into an outlet on a circuit different from that to which the receiver is connected. Consult the dealer or an experienced radio/TV technician for help.



WARNING: TURN OFF THE MAIN POWER AT THE CIRCUIT BREAKER BEFORE INSTALLING THE FIXTURE IN ORDER TO PREVENT POSSIBLE ELECTRIC SHOCK.

Note:

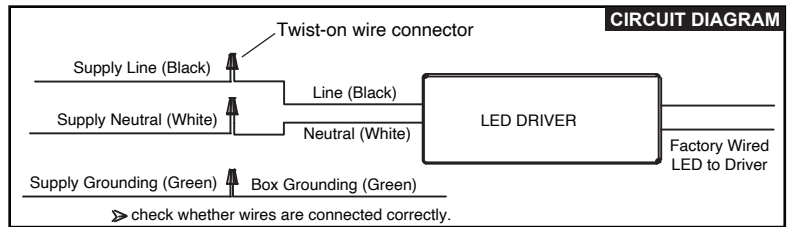
- This LED Wall-Packs light uses the latest in solid state lighting technology for long life, low maintenance and high efficiency.
- The same as traditional HID lighting, it could be mounted a standard photocell on the enclosure, to make it completely suitable for street lighting.
- An internal power-factor-corrected switch-mode supply allows it to be used from any nominal 100V-277V, 60Hz AC supply without any variation in light output.
- Suitable for use in the following locations:
 - Ambient Temp: -40~+40°C
 - Wet Locations

INSTALLATION OPTIONS

Wall Mount Installation

1. Open and remove the front cover from the back plate by using a phillip screwdriver to remove the screws (Fig A).
2. Drill the 4 (A) holes indicated on the back plate (Fig B).
3. Align the back plate on the surface being installed. If anchors are required, mark the 4 holes to be drilled for wall anchors (Fig C).

4. Make sure power is off from the circuit breaker or fuse. Feed the power supply wires through the conduit inlet desired on the back plate. Connect the wires. Refer to the circuit diagram below:



5. Assemble front cover back onto the back plate. Tighten the enclosure screws to seal fixture (Fig D).

Fig A.

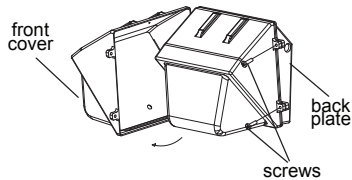


Fig B.

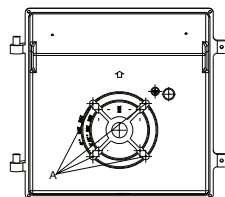


Fig C.

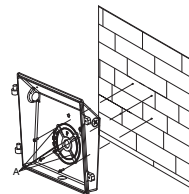
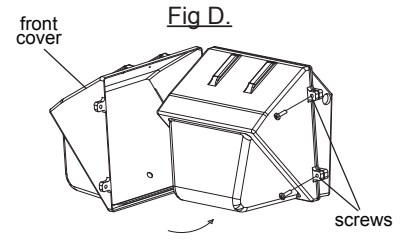


Fig D.



➤ Check whether the lighting fixture is firmly fixed.

J-Box Mount Installation

1. Open and remove the front cover from the back plate by using a phillip screwdriver to remove the screws (Fig E).
2. Drill the 4 (A) holes on the back plate needed to install on your J-box. Remove center knockout (C). Make sure power is off. Feed power supply wires thru the knockout hole (Fig. F).
3. Mount the back plate to the J-box (Fig G) and connect the wires. Refer to the circuit diagram above.
4. Assemble front cover back onto the back plate. Tighten enclosure screws to seal fixture.

Fig E.

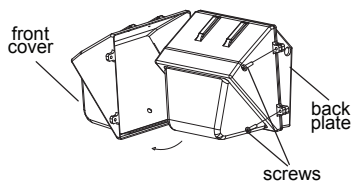


Fig F.

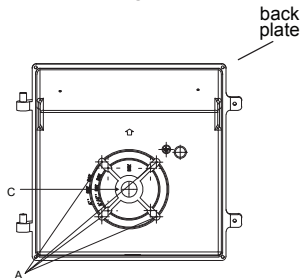


Fig G.

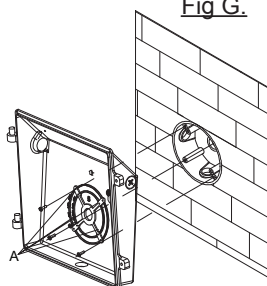
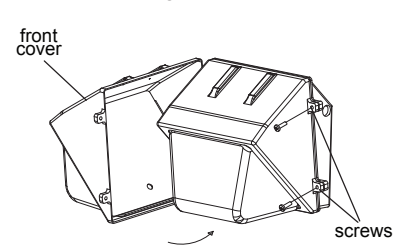


Fig H.



➤ Check whether the lighting fixture is firmly fixed.