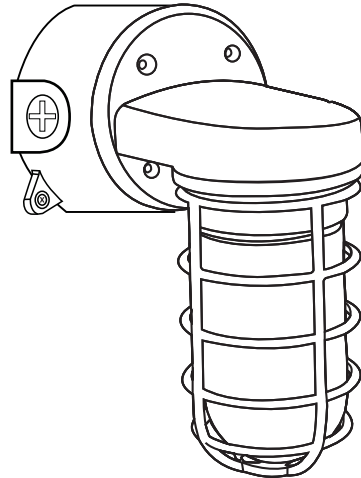


# VAPOR WALL MOUNT

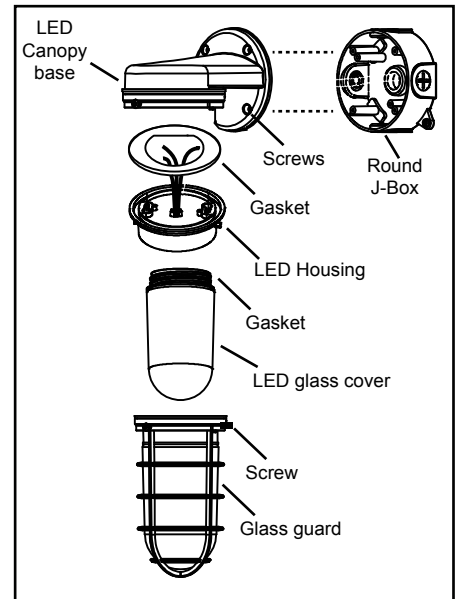
**WARNING:** These products may represent a possible shock or fire hazard if improperly installed or attached in any way. Products should be installed in accordance with the owners manual, current electrical codes and/or the current National Electric Code (NEC). Properly ground electrical enclosure. Use only UL or IEC approved wire for input/output connections.

**PARTS INCLUDED**

- (1) Vapor Wall Mount
- (1) LED canopy base
- (3) Wire nuts
- (1) Round J-Box
- (2) LED housing screws



**VAPOR WALL MOUNT PARTS**



**CAUTION, IMPORTANT SAFETY INSTRUCTIONS:**

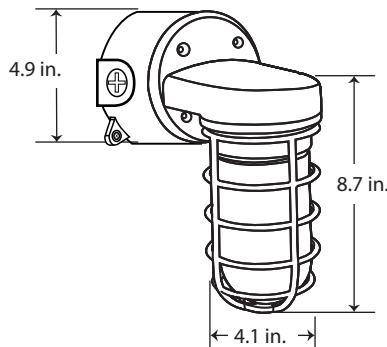
- Do not look directly at the operating LED lamp • Do not touch this product with wet hands • Do not disassemble, repair or alter lamp • Suitable for wet locations • The luminaire should be grounded
- To prevent early lamp failure: Lamp should only be installed in operating environments ranging between -20°C and +50°C • This device is not intended for use with emergency exits or emergency lights

To avoid the risk of fire, explosion, or electric shock, this product should be installed, inspected and maintained by a qualified electrician only, in accordance with all applicable electrical codes. Be certain electrical power is OFF before and during installation and maintenance.

**Note:** Save these instructions for future reference.

For supply connections use wire rated for at least 90°C

**CAUTION:** Input 120V



This device complies with part 15 of the FCC Rules. Operation is subject to the following two conditions: (1) This device may not cause harmful interference, and (2) this device must accept any interference received, including interference that may cause undesired operation. Note: This equipment has been tested and found to comply with the limits for a Class B digital device, pursuant to part 15 of the FCC Rules. These limits are designed to provide reasonable protection against harmful interference in a residential installation. This equipment generates, uses and can radiate radio frequency energy and, if not installed and used in accordance with the

instructions, may cause harmful interference to radio communications. However, there is no guarantee that interference will not occur in a particular installation. If this equipment does cause harmful interference to radio or television reception, which can be determined by turning the equipment off and on, the user is encouraged to try to correct the interference by one or more of the following measures: Reorient or relocate the receiving antenna. Increase the separation between the equipment and receiver. Connect the equipment into an outlet on a circuit different from that to which the receiver is connected. Consult the dealer or an experienced radio/TV technician for help.

**LIMITED WARRANTY**

This product is warranted to be free from defects in workmanship and materials for up to 5 years from date of purchase. If it fails to do so, please contact Feit Electric at [info@feit.com](mailto:info@feit.com) or call 1-866 326-BULB (2852) for instructions on replacement. Do not return the product to the store.

For comments please write to:  
 Feit Electric  
 Customer Service Department  
 4901 Gregg Road, Pico Rivera, CA 90660

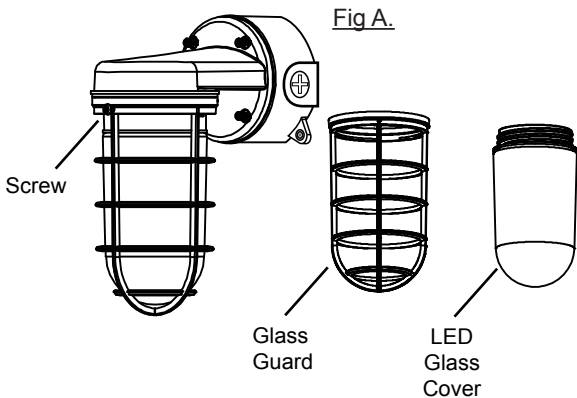


**WARNING:** TURN OFF THE MAIN POWER AT THE CIRCUIT BREAKER BEFORE INSTALLING THE FIXTURE IN ORDER TO PREVENT POSSIBLE ELECTRIC SHOCK.

**WARNING:** This luminaire should be installed by qualified electrician.

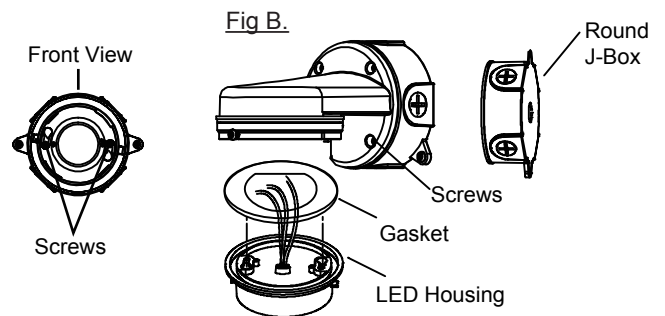
**Wall Installation**

1. Remove the glass guard by loosening the side screw, turn the glass guard to remove it and unscrew the LED glass cover (Fig A).



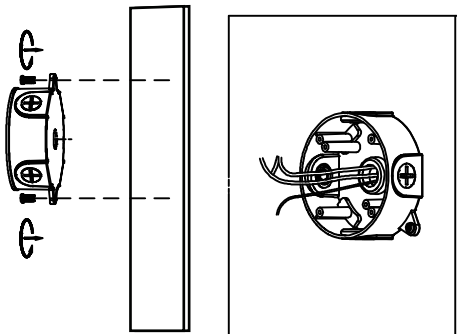
2. Loosen the 2 screws on the LED canopy base holding the LED housing. Turn the LED housing to allow the screws to exit out of the keyholes. Unscrew the 4 screws on the LED canopy base and remove it from the J-box (Fig B).

**Note:** Make sure to reinstall the gaskets between the parts when putting the fixture back together.



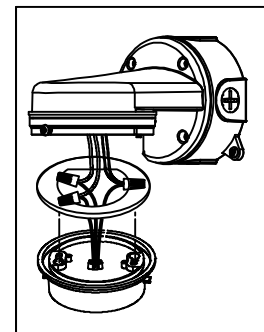
3. Using the two tabs, mount the round J-Box on the desired surface area. Use the appropriate hardware (not included). Supply power to the J-box by using the appropriate conduit (not included) (Fig C).

Fig C.



4. Feed the power supply through the LED canopy and reattach the LED canopy to the J-box. Using the wire nuts provided, connect the LED housing. The green wire connects to the house ground, the white wire connects to neutral and the black wire connects to the power supply wire. Connect all wires per all applicable codes (Fig D).

Fig D.



5. Align the LED housing keyholes to the LED canopy base. Turn the LED housing to the secure position and tighten the screws. Screw the LED glass cover into the LED housing, lock the glass guard back into the LED housing and secure it by tightening the side screw on the glass guard (Fig E).

Fig E.

