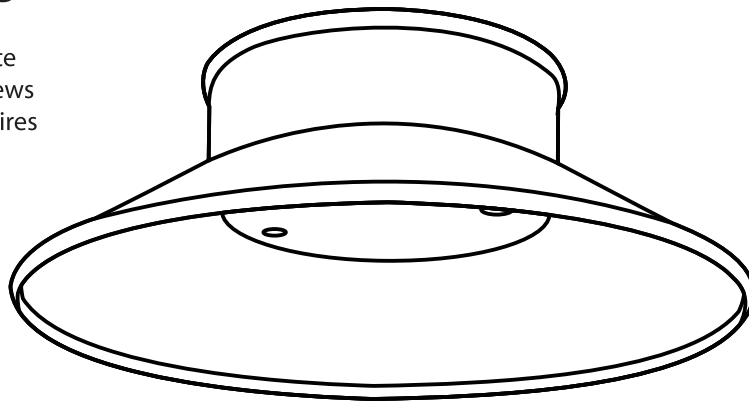


## CEILING MOUNT RETROFIT INSTALLATION INSTRUCTIONS

**WARNING:** These products may represent a possible shock or fire hazard if improperly installed or attached in any way. Products should be installed in accordance with the owners manual, current electrical codes and/or the current National Electric Code (NEC). Properly ground electrical enclosure. Use only UL or IEC approved wire for input/output connections.

**PARTS INCLUDED**

- (1) LED fixture
- (1) Mounting plate
- (2) Mounting screws
- (2) Connecting wires
- (2) Wire nuts



**CAUTION, IMPORTANT SAFETY INSTRUCTIONS:**

- Do not look directly at the operating LED lamp • Do not touch this product with wet hands • Do not disassemble, repair or alter lamp • Suitable for damp locations • The luminaire should be grounded
- To prevent early lamp failure: Lamp should only be installed in operating environments ranging between -20°C and +50°C • This device is not intended for use with emergency exits or emergency lights

To avoid the risk of fire, explosion, or electric shock, this product should be installed, inspected and maintained by a qualified electrician only, in accordance with all applicable electrical codes. Be certain electrical power is OFF before and during installation and maintenance.

**Note:** Save these instructions for future reference.

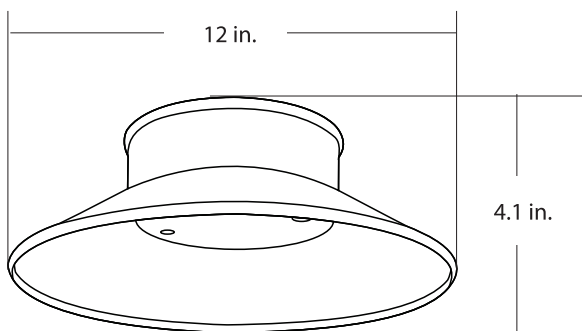
For supply connections use wire rated for at least 90°C

**CAUTION:** Input 120VAC

**LIMITED WARRANTY**

This product is warranted to be free from defects in workmanship and materials for up to 5 years from date of purchase. If it fails to do so, please contact Feit Electric at info@feit.com or call 1-866 326-BULB (2852) for instructions on replacement. Do not return the product to the store.

For comments please write to:  
 Feit Electric  
 Customer Service Department  
 4901 Gregg Road, Pico Rivera, CA 90660



LIGHTING DISTRIBUTION		
DISTANCE	CENTER BEAM (FOOT CANDLES)	BEAM DIAMETER
3 FT.	210	9.6 FT.
5 FT.	76	16 FT.
8 FT.	29.5	26 FT.
15 FT.	8.4	48 FT.
BEAM ANGLE = 116°		

This device complies with part 15 of the FCC Rules. Operation is subject to the following two conditions: (1) This device may not cause harmful interference, and (2) this device must accept any interference received, including interference that may cause undesired operation. Note: This equipment has been tested and found to comply with the limits for a Class B digital device, pursuant to part 15 of the FCC Rules. These limits are designed to provide reasonable protection against harmful interference in a residential installation. This equipment generates, uses and can radiate radio frequency energy and, if not installed and used in accordance with the instructions, may cause harmful interference to radio communications.

However, there is no guarantee that interference will not occur in a particular installation. If this equipment does cause harmful interference to radio or television reception, which can be determined by turning the equipment off and on, the user is encouraged to try to correct the interference by one or more of the following measures: Reorient or relocate the receiving antenna. Increase the separation between the equipment and receiver. Connect the equipment into an outlet on a circuit different from that to which the receiver is connected. Consult the dealer or an experienced radio/TV technician for help. Any changes or modifications not expressly approved by the manufacture could void the user's authority to operate the equipment.



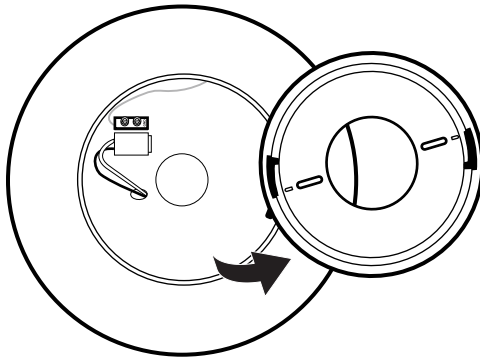
**WARNING:** TURN OFF THE MAIN POWER AT THE CIRCUIT BREAKER BEFORE INSTALLING THE FIXTURE IN ORDER TO PREVENT POSSIBLE ELECTRIC SHOCK.

**THIS DEVICE IS NOT INTENDED FOR USE WITH EMERGENCY EXITS OR PORTABLE LUMINAIRES**

**OPTION A - SIMPLY SCREW INTO EXISTING LIGHT SOCKET**

1. Remove the mounting plate from the fixture by turning the plate counter-clockwise (Fig A).

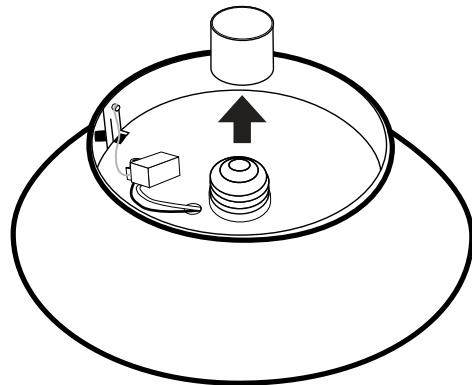
Fig A.



2. Remove the cap to expose the screw base (Fig B).

**Note:** Do not remove the screw base cap when mounting to the J-box.

Fig B.



3. Screw the LED fixture into the socket just like a light bulb (Fig's C and D).

Fig C.

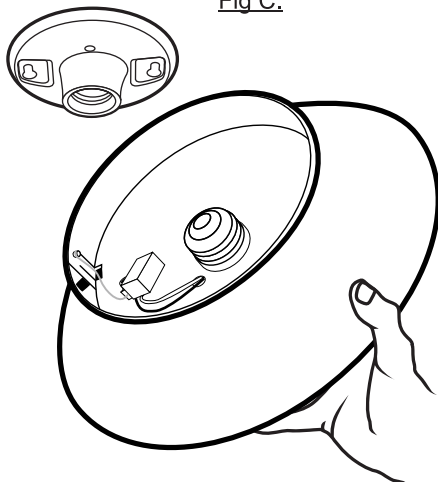
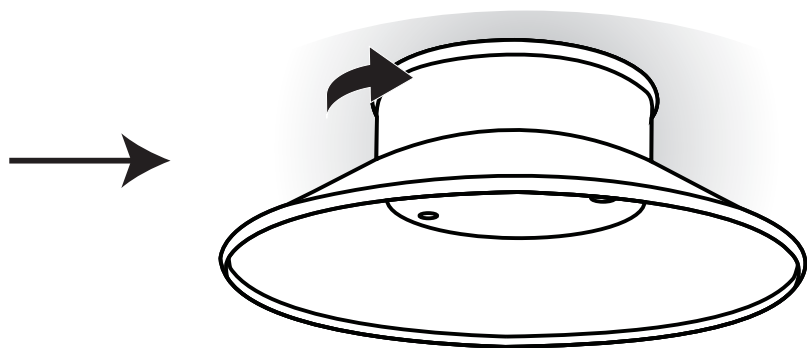


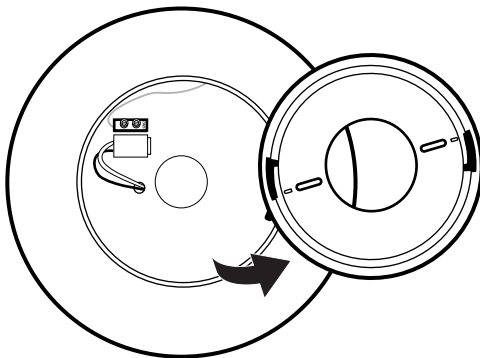
Fig D.



**OPTION B - WIRE DIRECTLY TO THE JUNCTION BOX**

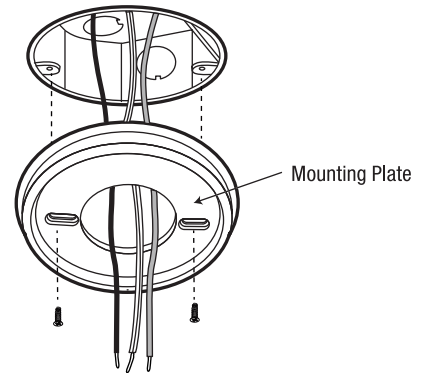
1. Remove the mounting plate from the fixture by turning the plate counter-clockwise (Fig E).

Fig E.



2. Install the mounting plate to the junction box using the provided screws. Make sure the side labeled "ceiling side," faces the ceiling (Fig F).

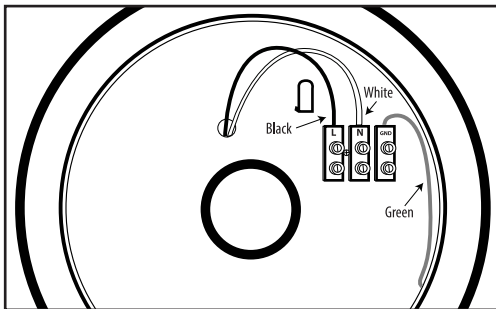
Fig F.



3. Remove the cap on terminal block. Loosen the set screws on the terminal block enough to insert the provided wires into the slots. Insert the black wire into "L" slot, white wire into the "N" slot and the green wire to "ground" slot (Fig G).

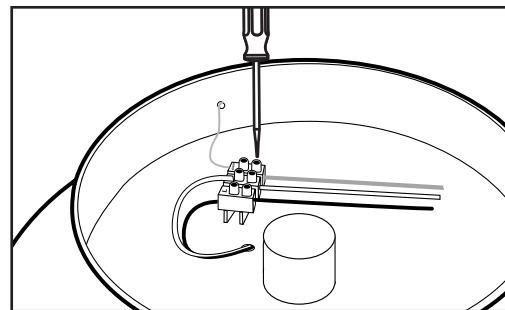
**Note:** Do not remove the screw base cap when mounting to the J-box.

Fig G.



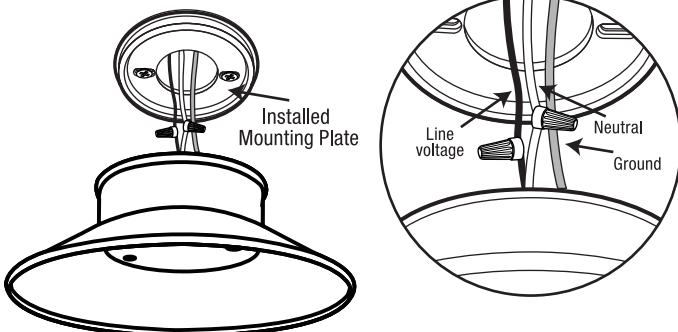
4. Secure the wires by tightening the terminal screws into the wires with a small flat-head screwdriver (Fig H).

Fig H.



5. Connect the fixture wires to the junction box wires using the provided wire nuts. (Black line - voltage, White - neutral) (Fig I).

Fig I.



6. Line up the pin guides on the fixture to the notches on the mounting bracket and twist the fixture clock-wise until it locks into place (Fig J).

Fig J.

