

# USE AND CARE GUIDE

---

## 5 INCH DIMMABLE WHITE SQUARE FLAT PANEL CEILING LIGHT WITH SELECTABLE COLOR



# Table of Contents

Table of Contents ..... 2  
Safety Information ..... 2  
Warranty ..... 2  
Pre-Installation ..... 3  
    Tools Required ..... 3  
    Hardware Included ..... 3  
Installation ..... 4-5  
Changing the Color Settings ..... 6

# Safety Information

## For your safety, always remember to:


- Turn off the power supply at the fuse or circuit breaker box before you install the fixture.
- Ground the fixture to avoid potential electric shock and to ensure reliable starting.
- Double-check all connections to be sure they are tight and correct.
- Wear rubber soled shoes and work on a sturdy wooden ladder.
- Account for small parts and destroy packing material, as these may be hazardous to children.


This fixture is designed for use in a circuit protected by a fuse or circuit breaker. It is also designed to be installed in accordance with local electrical codes. If you are unsure about your wiring, consult a qualified electrician or local electrical inspector, and check your local electrical code.

## FCC STATEMENT

This device complies with part 15 of the FCC Rules. Operation is subject to the following two conditions:


(1) This device may not cause harmful interference, and (2) this device must accept any interference received, including interference that may cause undesired operation. Note: This equipment has been tested and found to comply with the limits for a Class B digital device, pursuant to part 15 of the FCC Rules. These limits are designed to provide reasonable protection against harmful interference in a residential installation. This equipment generates, uses and can radiate radio frequency energy and, if not installed and used in accordance with the instructions, may cause harmful interference to radio communications. However, there is no guarantee that interference will not occur in a particular installation. If this equipment does cause harmful interference to radio or television reception, which can be determined by turning the equipment off and on, the user is encouraged to try to correct the interference by one or more of the following measures: Reorient or relocate the receiving antenna. Increase the separation between the equipment and receiver. Connect the equipment into an outlet on a circuit different from that to which the receiver is connected. Consult the dealer or an experienced radio/TV technician for help.

 **WARNING: RISK OF SHOCK.** House electric current can cause painful shock or serious injury unless handled properly.

 **CAUTION:** Turn off the main power at the circuit breaker before installing the fixture, in order to prevent possible shock.

**NOTICE:** All electrical connections must be in accordance with local and National Electrical Code (N.E.C.) standards. If you are unfamiliar with proper electrical wiring connections obtain the services of a qualified electrician.

Remove the fixture and the mounting package from the box and make sure that no parts are missing by referencing the illustrations on the installation instructions.

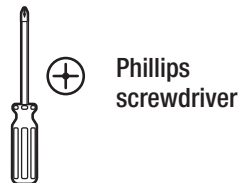
 **WARNING:** Risk of fire. Use only on 120 volt 60Hz circuits. Suitable for damp locations. Before installing your lighting fixture, thoroughly review enclosed installation manual. If you do not have sufficient electrical wiring experience, please refer to a do-it-yourself wiring handbook or have your fixture installed by a qualified licensed electrician. All electrical connections must be in accordance with Local and National Electrical Code (NEC) Standards. Reliable operating temperature is 0°F –120°F. If flickering occurs in low level dimming, increase light level. Compatible with most dimmers including Leviton 6681-IW, Lutron S-600P and Lutron DVCL-153. Dimmable to 10% with most dimmers.

# Warranty

This product is warranted to be free from defects in workmanship and materials for up to 5 years from date of purchase. If it fails to do so, please contact Feit Electric at info@feit.com or call 1-866-326-BULB (2852) for instructions on replacement. Do not return the product to the store.

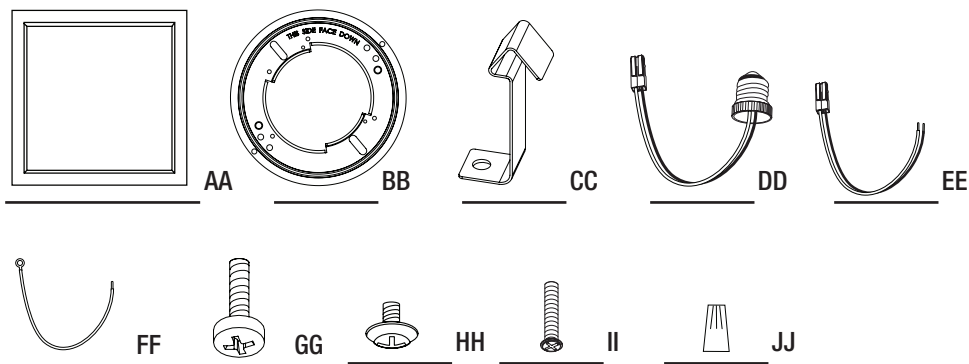
# Pre-Installation

## TOOLS REQUIRED



## HARDWARE INCLUDED

 **NOTE:** Hardware not shown to actual size.



Part	Description	Quantity
AA	5 in. fixture	1
BB	Mounting bracket	1
CC	4 in. mounting clip spring	3
DD	E26 adapter with male connector	1
EE	Stripped wires with male connector	1
FF	Ground wire	1
GG	4 in. mounting clip spring screws	3
HH	Ground wire screw	1
II	J-Box mounting screws	2
JJ	Wire connectors	3

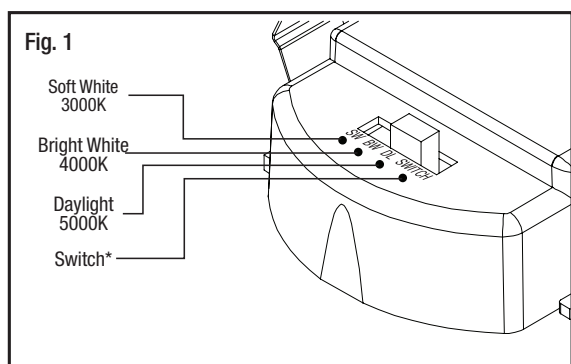
# Junction Box Installation

## 1 Turning Off the Power

- Turn the power OFF at the switch and fuse box or the circuit breaker.

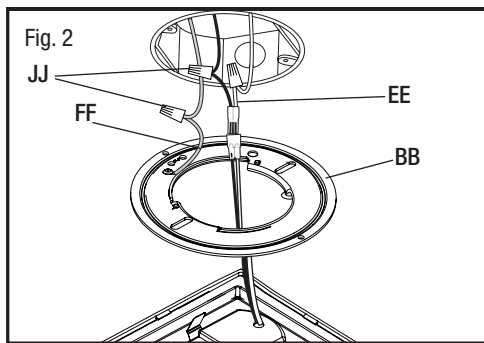
## 2 Choosing a color temperature before installing

- Use the slide switch to choose a color temperature before installing. Soft White (SW), Bright White (BW), Daylight (DL) or choose to adjust the color temperature from the wall switch (SWITCH) (See Fig. 1).



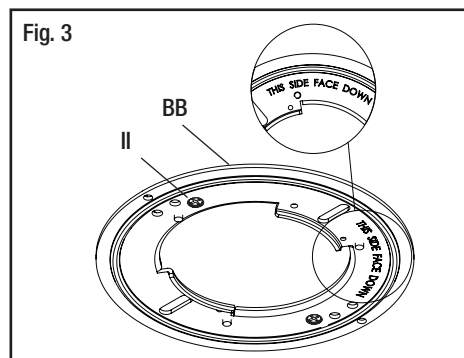
## 3 Connecting the wires

- Identify the wiring: (Black - line voltage, White - neutral and Green - ground)
- Connect the stripped wires with male connector (EE) to the two wires coming from the J-box: Black - line voltage to Black, White - neutral to White, using wire connectors provided (JJ).
- Ensure the fixture is properly grounded according to local code requirements. Connect the ground wire (FF) to the mounting bracket (BB) as shown in Fig.2 and connect to the ground wire in the J-box with the wire connectors provided (JJ).



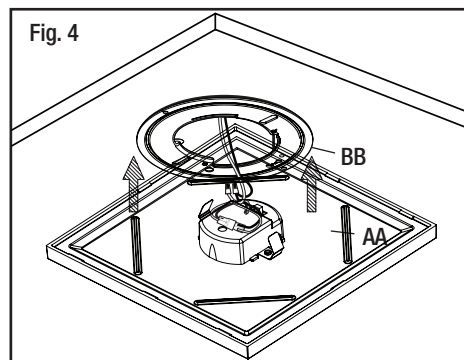
## 4 Installing the mounting bracket to the junction box

- Install the mounting bracket (BB) to the J-box by inserting the two mounting screws (II) through the slots in mounting bracket (BB).
- Make sure the mounting bracket (BB) is installed with the label facing downwards. (Fig. 3)



## 5 Installing the fixture to the mounting bracket

- Secure the fixture (AA) to the mounting bracket (BB) by pressing the fixture into the mounting bracket until the clips on the fixture engage together. Make sure the fixture is firmly locked into place. (Fig. 4)



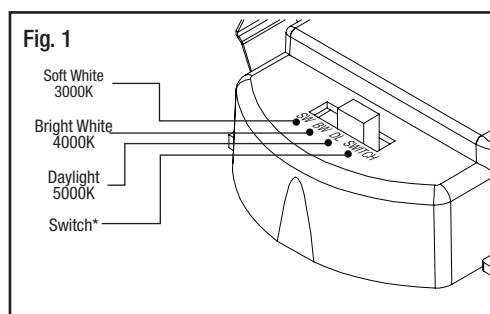
# 4in Recessed Can Installation

## 1 Turning Off the Power

- Turn the power OFF at the switch and fuse box or the circuit breaker.
- Remove the existing trim installed in the recessed housing.

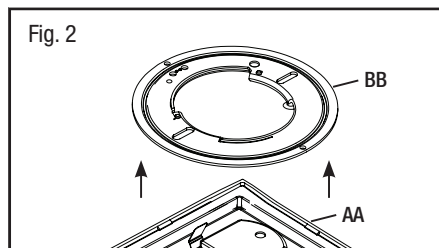
## 2 Choosing a color temperature before installing

- Use the slide switch to choose a color temperature before installing. Soft White (SW), Bright White (BW), Daylight (DL) or choose to adjust the color temperature from the wall switch (SWITCH) (See Fig.1).



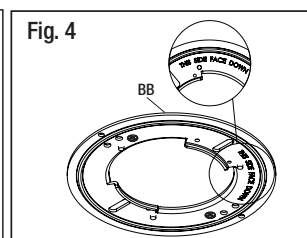
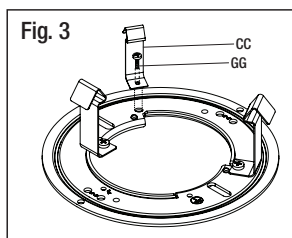
## 3 Remove the mounting bracket

- Remove the mounting bracket (BB) from the fixture (AA) (See Fig. 2)



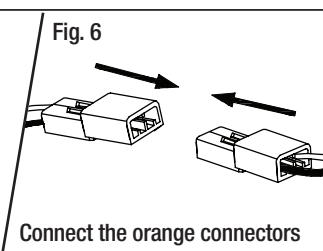
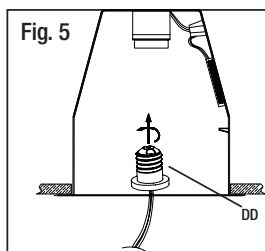
## 4 Installing the 4 in. clip springs to the mounting bracket

- Install the 4in. clips springs (CC) to the mounting bracket (BB) using the three clip spring screws (GG) provided (See Fig. 3).
- Make sure the mounting bracket (BB) is installed with the label faced downwards (See Fig. 4).



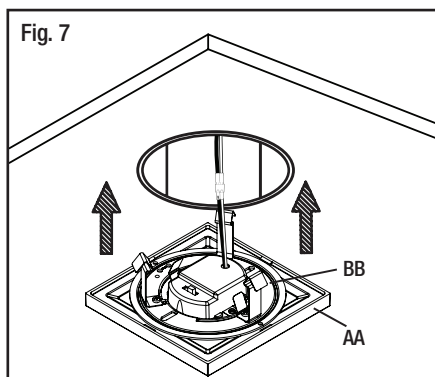
## 5 Installing the adapter and connect the terminals

- Install the E26 adapter (DD) into the socket. (Fig. 5).
- Connect the two terminals together. (Fig. 6).

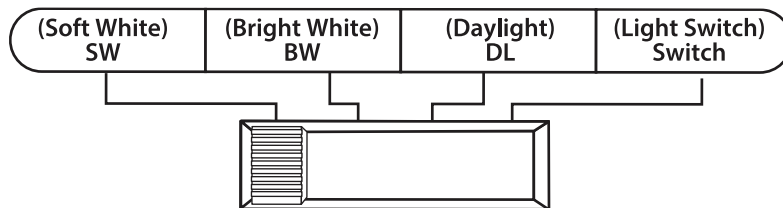


## 6 Installing the fixture into the recessed housing

- Install the fixture back into the mounting bracket (BB)
- Gently push the fixture (AA) into the recessed housing. (Fig. 7)



# Changing the Color Settings



**NOTICE:** The toggle switch is located on the back of the fixture.

## 4-way color changing:

1. You can lock in one color temperature, change among multiple color temperatures, dim from 10%-100%, memorize the last color temperature and reset automatically.
2. Light Switch Marks on the lamp represent: SW (Soft White) - BW (Bright White) - DL (Daylight) - Switch (Light Switch)
3. When the slide switch is set to SW (Soft White), the color temperature is set at 3000K.
4. When the slide switch is set to BW (Bright White), the color temperature is set at 4000K.
5. When the slide switch is set to DL (Daylight), the color temperature is set at 5000K.
6. When the slide switch is set to SWITCH, the color temperature can be changed from SW-BW-DL with your existing light switch.

## To change color temperatures using your existing light switch:

- A. Set the slide switch on the back of the fixture to SWITCH.
- B. Toggle your light switch ON and OFF within 0.5-3 seconds to cycle through the three different color temperatures.
- C. If the fixture is left ON for over 10 seconds then turned OFF, the fixture will remember the last color temperature selected and will display that color when turned on again.
- D. The reset function is used when using multiple Color Selectable lighting products operating from the same light switch. In the event that multiple fixtures are not displaying the same color at the same time, the fixtures must be RESET using your existing light switch. Simply toggle the wall switch ON and OFF 7 times, leaving it in the ON position for 2 second intervals. (ex: With the fixture in the ON position, toggle the wall switch OFF then ON, leaving it ON for 2 seconds, then OFF then ON, leaving it ON for 2 seconds. (Repeat 7 times.)

LIGHTING DISTRIBUTION		
DISTANCE	CENTER BEAM (FOOT CANDLES)	BEAM DIAMETER
3 FT.	22	8.3 FT.
5 FT.	8	14 FT.
8 FT.	3.1	22 FT.
15 FT.	0.9	41 FT.
BEAM ANGLE = 108°		