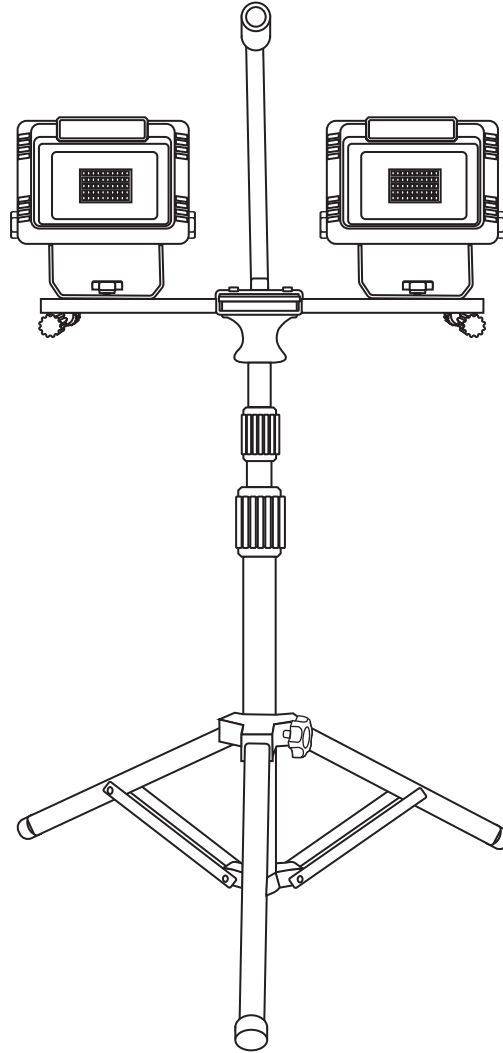


IMPORTANT SAFETY INSTRUCTIONS AND INSTALLATION GUIDE

Dual Head Work Light with Metal Tripod



READ BEFORE INSTALLATION
SAVE THESE INSTRUCTIONS

Questions, problems, missing parts? Before returning to the store,
call Feit Electric Customer Service
8 a.m. - 5 p.m., PST, Monday - Friday

1-866-326-BULB (2852)

FEIT.COM

Table of Contents

Table of Contents	2
Safety Information	2
FCC Statement	2
Warranty	2
Pre-Assembly	3
Assembly	4-5

Important Safety Information

READ ALL INSTRUCTIONS

- All Safety and Operating instructions in this manual must be followed before using this product.
- Follow all safe guards stated in the manual, in addition to normal safety precautions in working with electrical devices. Always follow basic safety precautions to reduce the risk of fire, electric shock and personal injury.
- Ground Fault Circuit Interrupter (GFCI) protection is to be provided on the circuit(s) or for the wet location portable luminaire. Receptacles are available having built-in GFCI protection and are able to be used for this measure of safety
- Use only with an extension cord for outdoor use, such as an extension cord of cord type SEW, SEOW, SE00W, SOW, SOOW, STW, STOW, STOOW, SJEW, SJEOW, SJE00W, SJW, SJOW, SJ00W, SJTW, SJTOW, or SJTOOW.
- To disconnect, turn off the switch, then remove the plug from the outlet. Do not turn off by pulling on the cord.
- To reduce the risk of fire, keep away from combustible materials while in operation.
- To reduce the risk of injury, close supervision is necessary when this product is used near children.
- Suitable for Wet Locations

SAVE THESE INSTRUCTIONS

Maintenance and Care

Maintenance of this work light is very minimal. Regularly clean the lens with a non-abrasive cleaning cloth. The same care should be provided for the stand.

Supplier's Declaration of Conformity:
47 CFR § 2.1077 Compliance Information
Responsible Party: Feit Electric Company
4901 Gregg Road, Pico Rivera, CA 90660, USA
562-463-2852
Unique Identifier: WORK12000XLTPLUG

This device complies with part 15 of the FCC Rules. Operation is subject to the following two conditions: (1) This device may not cause harmful interference, and (2) this device must accept any interference received, including interference that may cause undesired operation. Note: This equipment has been tested and found to comply with the limits for a Class B digital device, pursuant to part 15 of the FCC Rules. These limits are designed to provide reasonable protection against harmful interference in a residential installation. This equipment generates, uses and can radiate radio frequency energy and, if not installed and used in accordance with the instructions, may cause harmful interference to radio communications. However, there is no guarantee that interference will not occur in a particular installation. If this equipment does cause harmful interference to radio or television reception, which can be determined by turning the equipment off and on, the user is encouraged to try to correct the interference by one or more of the following measures: Reorient or relocate the receiving antenna. Increase the separation between the equipment and receiver. Connect the equipment into an outlet on a circuit different from that to which the receiver is connected. Consult the dealer or an experienced radio/TV technician for help. Any changes or modifications not expressly approved by the manufacturer could void the user's authority to operate the equipment.

Limited Warranty

This product is warranted to be free from defects in workmanship and materials for up to 3 years from date of purchase. If the product fails within the warranty period, please contact Feit Electric at info@feit.com, visit feit.com/contact-us or call 1-866-326-BULB (2852) for instructions on replacement or refund. REPLACEMENT OR REFUND IS YOUR SOLE REMEDY. EXCEPT TO THE EXTENT PROHIBITED BY APPLICABLE LAW, ANY IMPLIED WARRANTIES ARE LIMITED IN DURATION TO THE DURATION OF THIS WARRANTY. LIABILITY FOR INCIDENTAL OR CONSEQUENTIAL DAMAGES IS HEREBY EXPRESSLY EXCLUDED. Some states and provinces do not allow the exclusion of incidental or consequential damages, so the above limitation or exclusion may not apply to you. This warranty gives you specific legal rights, and you may also have other rights which vary from state to state or province to province.



WARNING: RISK OF SHOCK. House electric current can cause painful shock or serious injury unless handled properly.



WARNING: When using outdoor use portable luminaires, basic safety precautions should always be followed to reduce the risk of fire, electric shock, and personal injury.



WARNING: Use only three-wire extension cords that have three-prong grounding plugs and grounding receptacles that accept the appliance's plug. Do not use an extension cord near water or in areas where water may accumulate. Keep away from pools or spas. Keep plugs dry.



CAUTION: This portable light-emitting diode (LED) luminaire has a polarized plug (one blade is wider than the other) as a feature to reduce the risk of electric shock. This plug will fit in a polarized outlet only one way. If the plug does not fully fit in the outlet, reverse the plug. If it still does not fit, contact a qualified electrician. Do not alter the plug.

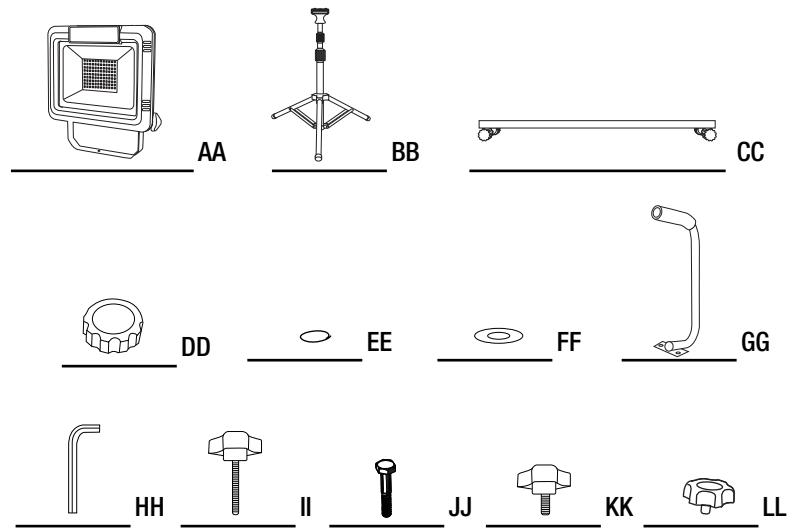
Pre-Assembly

PARTS INCLUDED

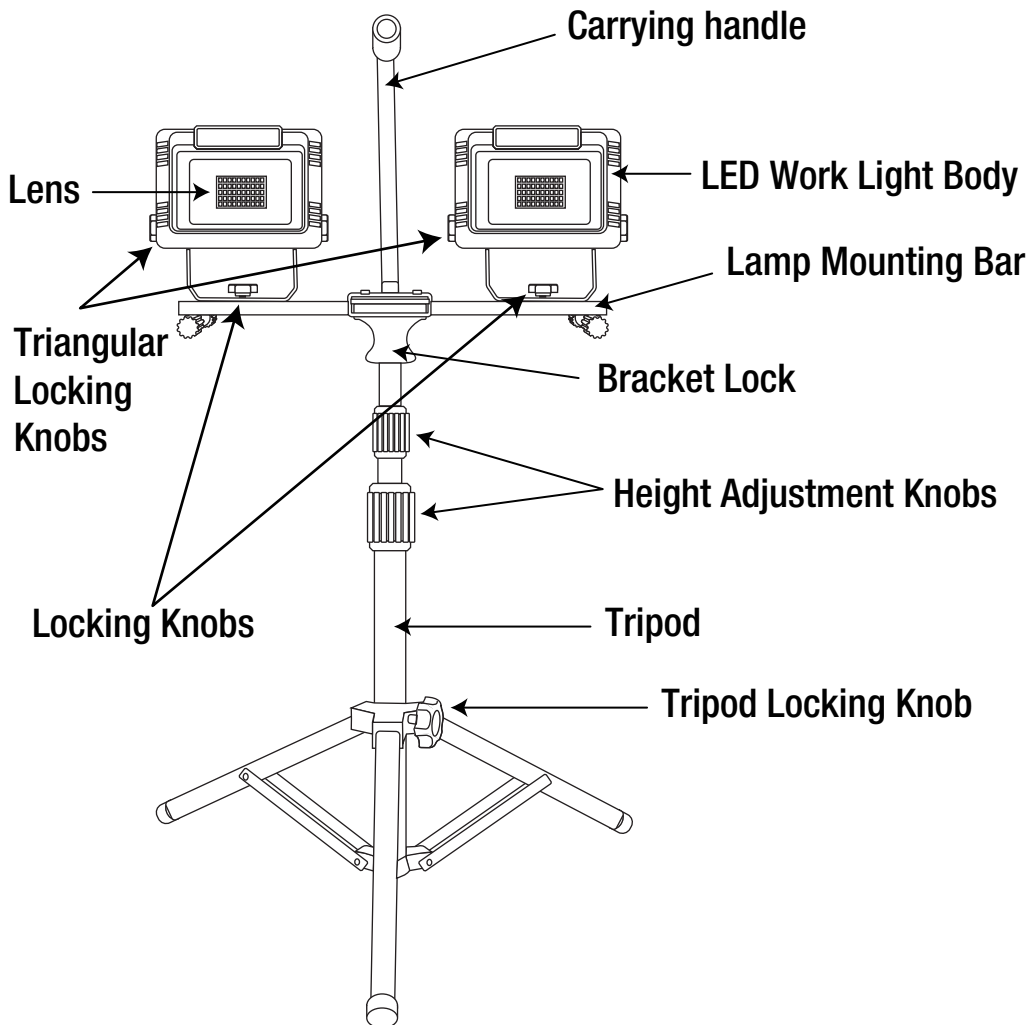


NOTE: Parts not shown to actual size.

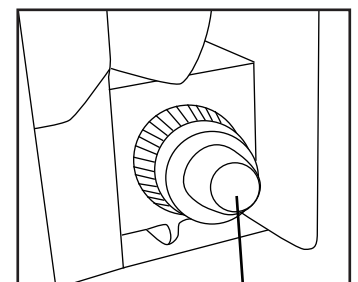
Part	Description	Quantity
AA	LED Work Light Body	2
BB	Tripod	1
CC	Lamp Mounting Bar	1
DD	Locking Knobs	2
EE	Split Lock Washers	4
FF	Washers	4
GG	Carrying Handle	1
HH	Hex Key Allen Wrench	1
II	Handle Locking Knob	1
JJ	Hex Screws	2
KK	Triangular Locking Knobs	4
LL	Tripod Locking Knob	1



PARTS OF THE DUAL HEAD WORK LIGHT

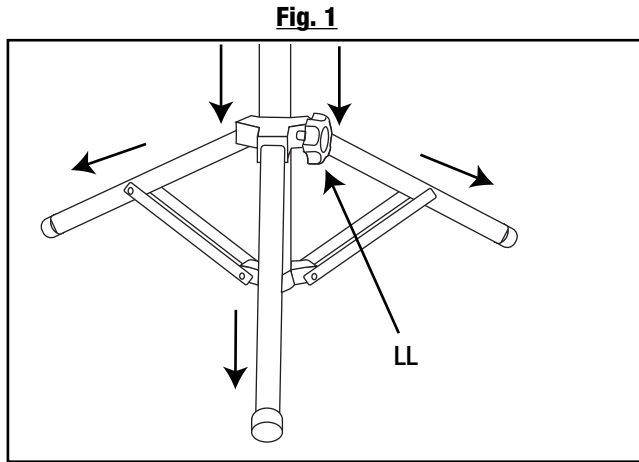


Back of the Work Light

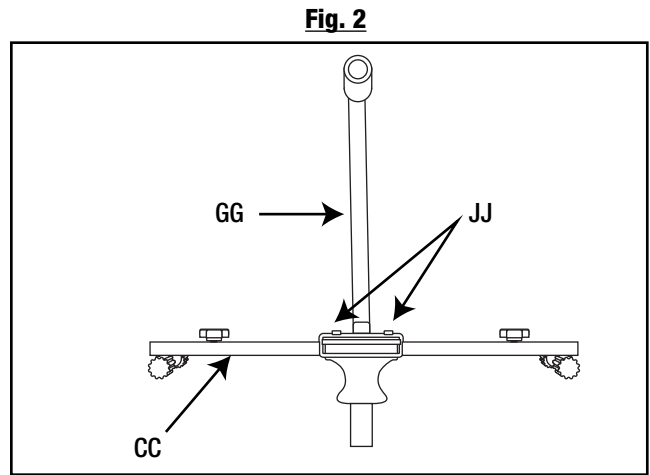


Power Button

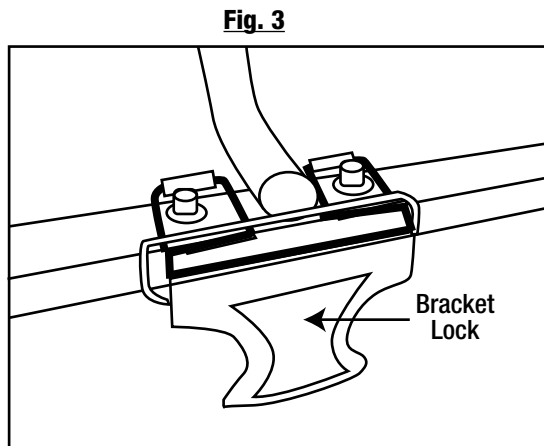
- 1 Loosen the Tripod Locking Knob (LL) and move the three legs out and down, then tighten the Tripod Locking Knob (LL) (See Fig. 1).



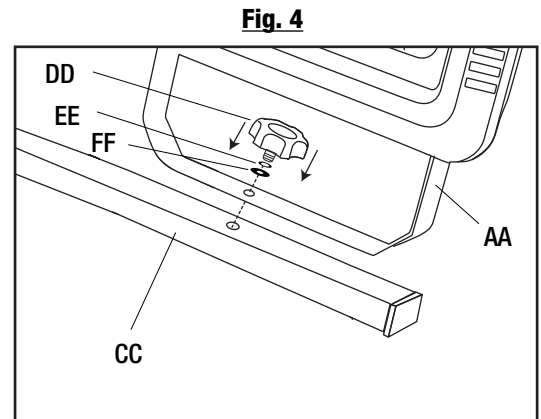
- 2 Use the included Hex Wrench (HH) to remove the Hex Screws (JJ) from the Lamp Mounting Bar (CC). Place the Carrying Handle (GG) on the Lamp Mounting Bar (CC) and align it with the screw hole. Place the Hex Screws (JJ) back and tighten them to hold the handle in place (see Fig. 2).




- 3 Place the Lamp Mounting Bar (CC) onto the Tripod (BB) and secure it into place with the bracket lock (see Fig. 3).

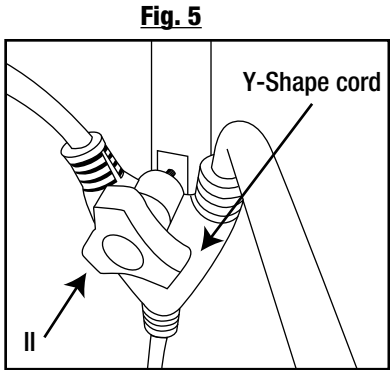


- 4 Attach the LED Work light body (AA) to the lamp mounting bar (CC) by first inserting the Split Lock washer (EE) and Washer (FF) onto the Locking Knob (DD) and screwing the Locking Knob (DD) through (AA) and into lamp mounting bar (CC) (see Fig. 4). Tighten the Locking knob (DD) to set into place.



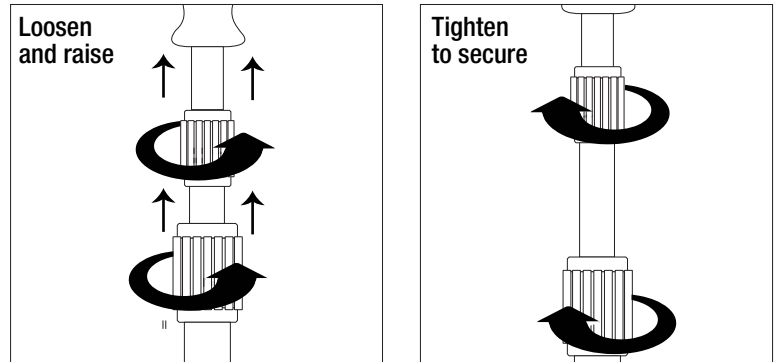
 **NOTE:** The Locking Knobs (DD) must be loosened first when placing the LED Work Light Body (AA) on the Lamp Mounting Bar (CC). Re-tighten the same Locking Knob (DD) to hold it into position and repeat for the other side of the LED Work Light Body (AA).

- 5** Insert the Handle Locking Knob (II) through the Y-shape cord and into the tripod. Turn the Handle Locking Knob (II) clockwise to hold the Y-Shape cord in place (see Fig. 5).



- 6** Rotate the height adjustment knobs counter-clockwise to loosen them and pull up the tripod to the desired height. Rotate the height adjustment clockwise to secure the tripod in place.

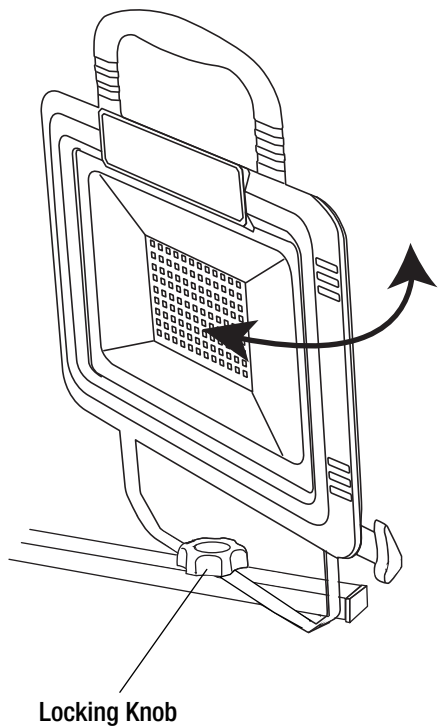
Height Adjustment



- 7** Once the LED Work Light Body (AA) has been attached to the Stand (BB), the LED Work Light can pivot vertically and horizontally into the desired position.

Horizontal Pivoting

To pivot horizontally loosen the center Locking Knob then adjust to your preferred position. Once set to your desired position, re-tighten the center Locking Knob to lock it into place.



Vertical Pivoting

To pivot vertically loosen the two Triangular Locking Knobs found on each side and adjust to your preferred position. Once set to your desired position re-tighten both Triangular Locking Knobs to lock it into place.

