

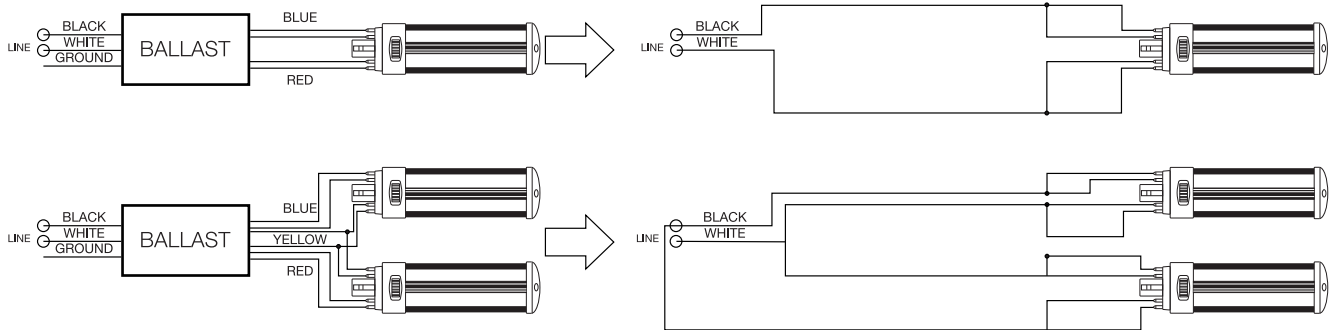
BALLAST BYPASS INSTRUCTIONS

WARNING:

Product should be installed in accordance with the owners manual, current electrical codes and/or the current National Electric Code (NEC). If you are unsure about your wiring, consult a qualified electrician or local electrical inspector, and check your local electrical code.

RISK OF ELECTRIC SHOCK: TURN OFF THE MAIN POWER AT THE CIRCUIT BREAKER BEFORE INSTALLING.

1. Turn power off at the wall switch and circuit breaker.
2. Locate your ballast.
3. Cut the hot (Black) and neutral (White) wires between the incoming power line and ballast. Ensure the wire length is sufficient to reach the lamp socket.
4. Cut the socket lead wires between the ballast output and the lamp socket. Allow a wire length of 3in from the lamp socket.
5. Remove the ballast (Optional).
6. Connect the incoming power line wires to the lamp socket wires using the applicable wire connectors.



BALLAST COMPATIBILITY

The following ballasts are compatible with PL26AB/H/CCT/LEDHDRP

Ballast Manufacturer	Model No	Wattage	Ballast Manufacturer	Model No	Wattage
Philips Advance	ICF-2S13-H1-LD	13W	Osram Sylvania	QTP 1/2X18CF/UNV DM	18W
Philips Advance	ICF-2S18-H1-LD	18W	Osram Sylvania	QTP 2X26/32/42CF/UNV	26W
Philips Advance	ICF-2S26-H1-LD	26W	Osram Sylvania	QTP 2x26CF/UNV DM	26W
Universal Triad	C213UNVME	13W	Keystone	KTEB-226-UV-PS-DW	26W
Universal Triad	C218UNVSE	18W	Keystone	KTEB-226-UV-RS-DW	26W
Universal Triad	C2642UNVME	26W	Keystone	KTEB-226-UV-TP-PIC-DW	26W
Universal Triad	C2642UNVMES	26W			
General Electric	GEC218-MVPS-3W	18W			
General Electric	GEC226-MVPS-3W	26W			

TROUBLESHOOTING

If the PL lamp does not turn On, or turn On then Off, or flickers:

- Verify that the fluorescent ballast installed in the luminaire is listed in the Feit Electric compatibility list.
- Some fixtures are rated higher than 26W. Confirm that you are not exceeding the maximum wattage of the lamp.
- Check if the previously installed fluorescent lamp meets direct replacement wattages of 13W/18W/26W.
- Make sure the lamp is properly installed in the socket. Try removing and reinstalling for firm fit.

Supplier's Declaration of Conformity:

47 CFR § 2.1077 Compliance Information

Responsible Party: Feit Electric Company

4901 Gregg Road, Pico Rivera, CA 90660, USA 562-463-2852

Unique Identifier: PL26AB/H/CCT/LEDHDRP

This device complies with part 15 of the FCC Rules. Operation is subject to the following two conditions: (1) This device may not cause harmful interference, and (2) this device must accept any interference received, including interference that may cause undesired operation. Note: This equipment has been tested and found to comply with the limits for a Class B digital device, pursuant to part 15 of the FCC Rules. These limits are designed to provide reasonable protection against harmful interference in a residential installation. This equipment generates, uses and can radiate radio frequency energy and, if not installed and used in accordance with the instructions, may cause harmful interference to radio communications. However, there is no guarantee that interference will not occur in a particular installation. If this equipment does cause harmful interference to radio or television reception, which can be determined by turning the equipment off and on, the user is encouraged to try to correct the interference by one or more of the following measures: Reorient or relocate the receiving antenna. Increase the separation between the equipment and receiver. Connect the equipment into an outlet on a circuit different from that to which the receiver is connected. Consult the dealer or an experienced radio/TV technician for help. Any changes or modifications not expressly approved by the manufacturer could void the user's authority to operate the equipment.